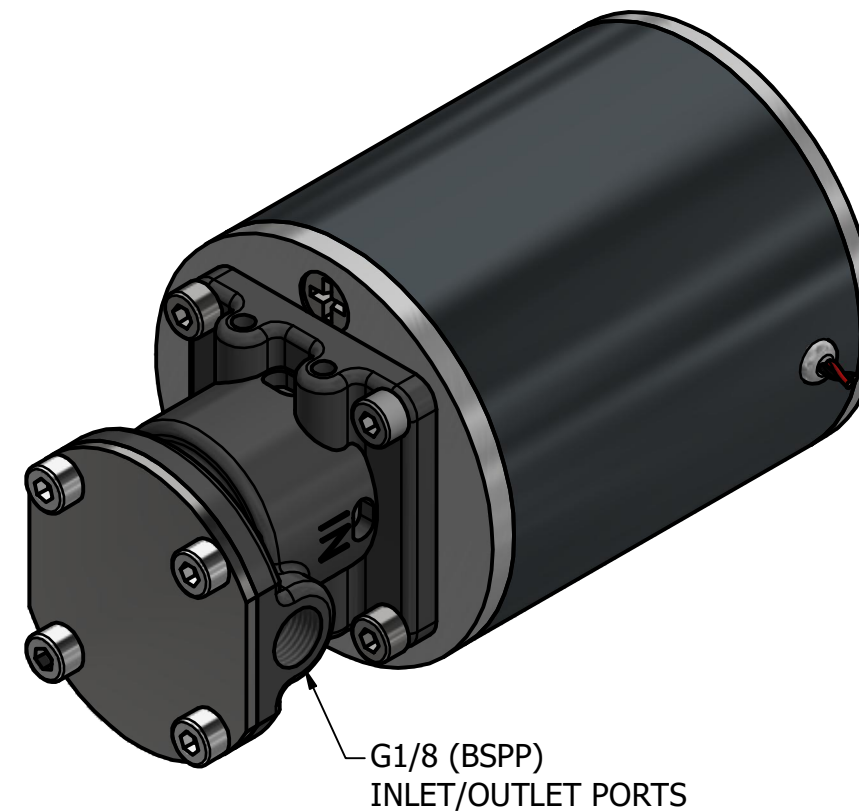


**MICRO GEAR PUMP  
 30 WATT MOTOR  
 G1/8 (BSPP) PORTS**



TWISTED WIRE  
 LOOPED THROUGH  
 FERRITE CYLINDER

