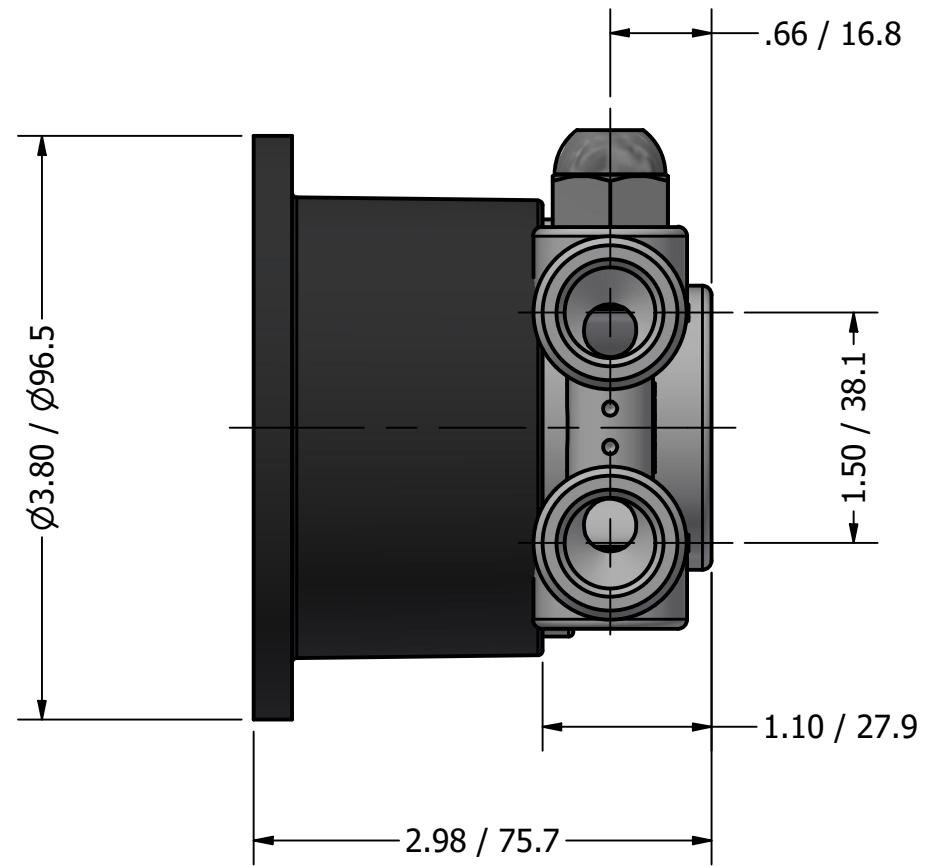
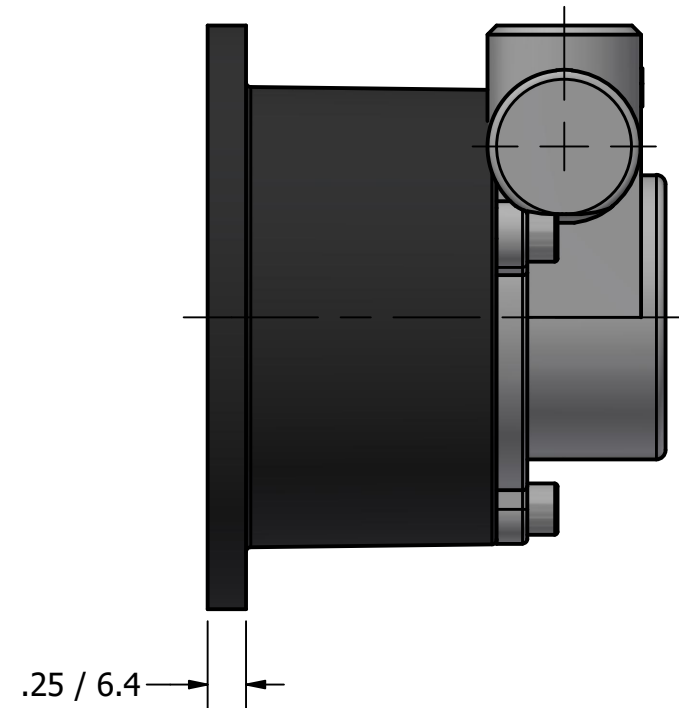
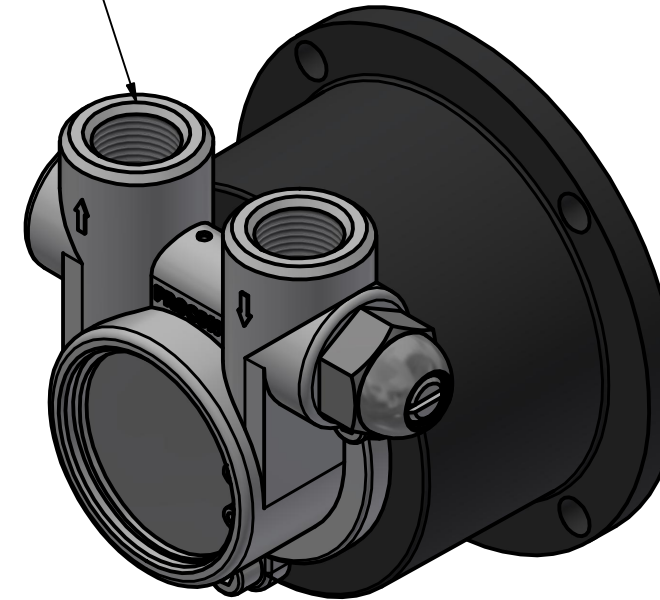


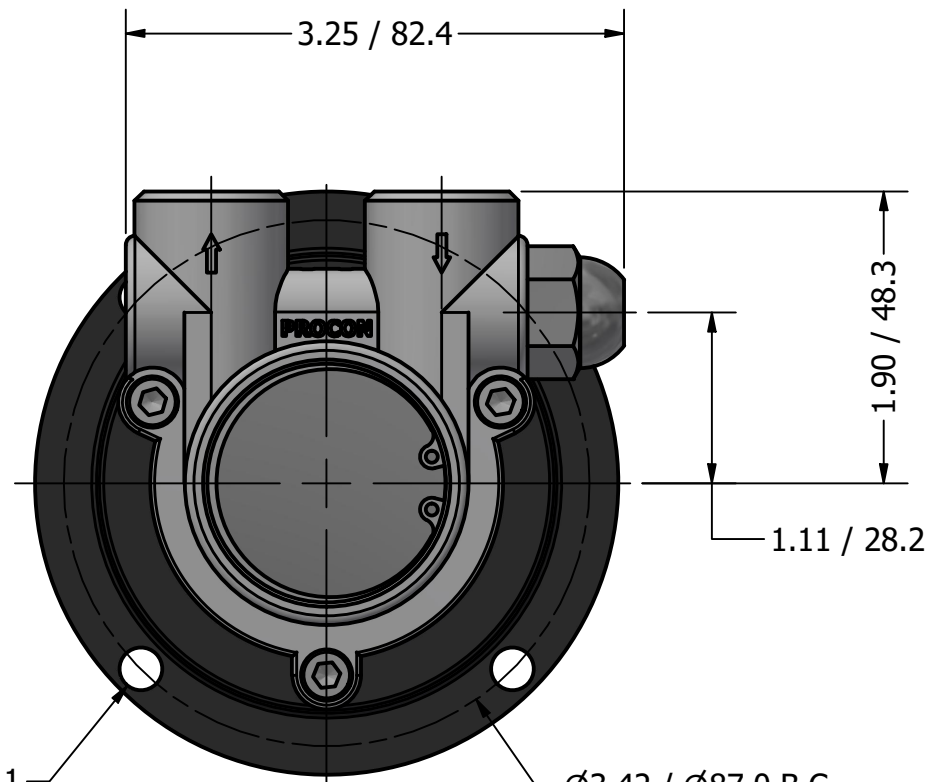
**SERIES 8  
MAG DRIVE PUMP  
G3/8 (BSPP) PORTS  
WITH RELIEF VALVE**



G3/8 (BSPP)  
INLET/OUTLET PORTS



Ø.28 / Ø7.1  
4 EQUALLY  
SPACED HOLES



Ø3.42 / Ø87.0 B.C.

**PROCON**<sup>®</sup>

custom | fluid | solutions<sup>®</sup>

a division of **Standex**

W3013