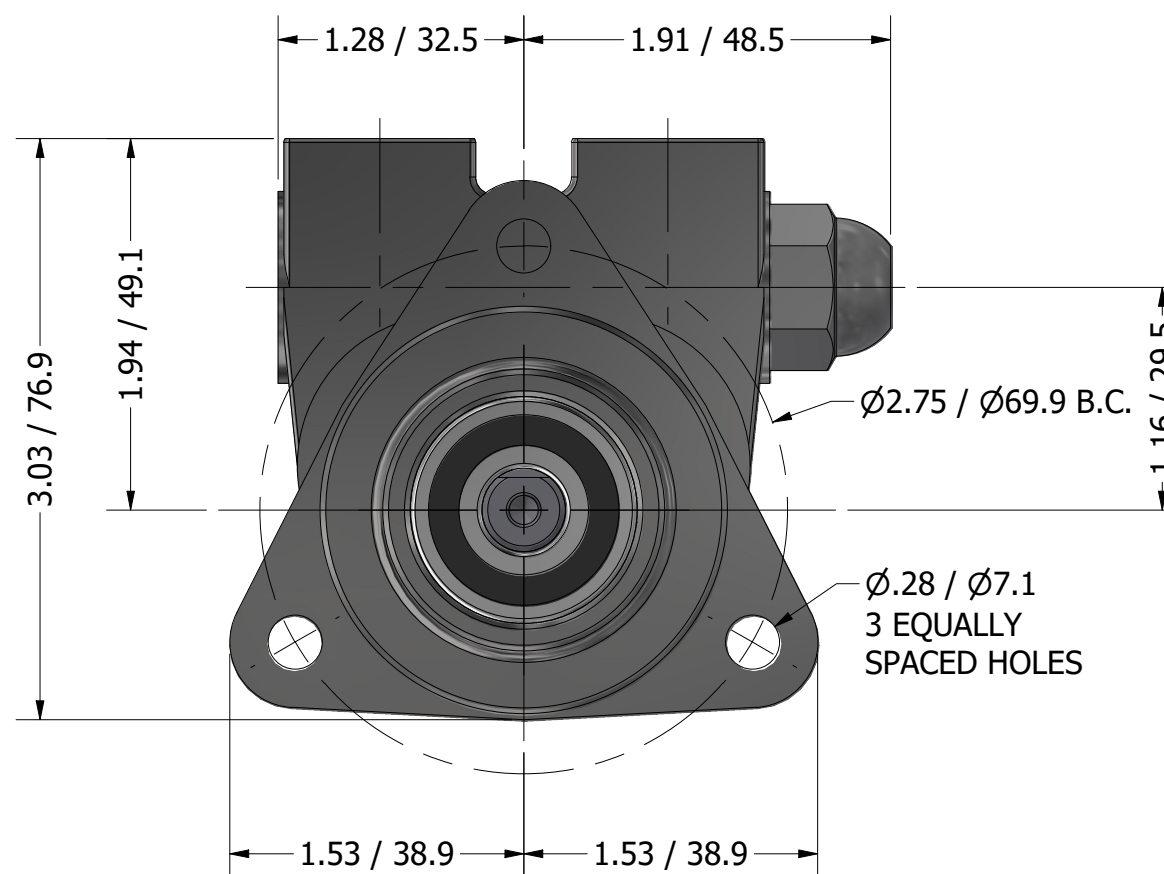
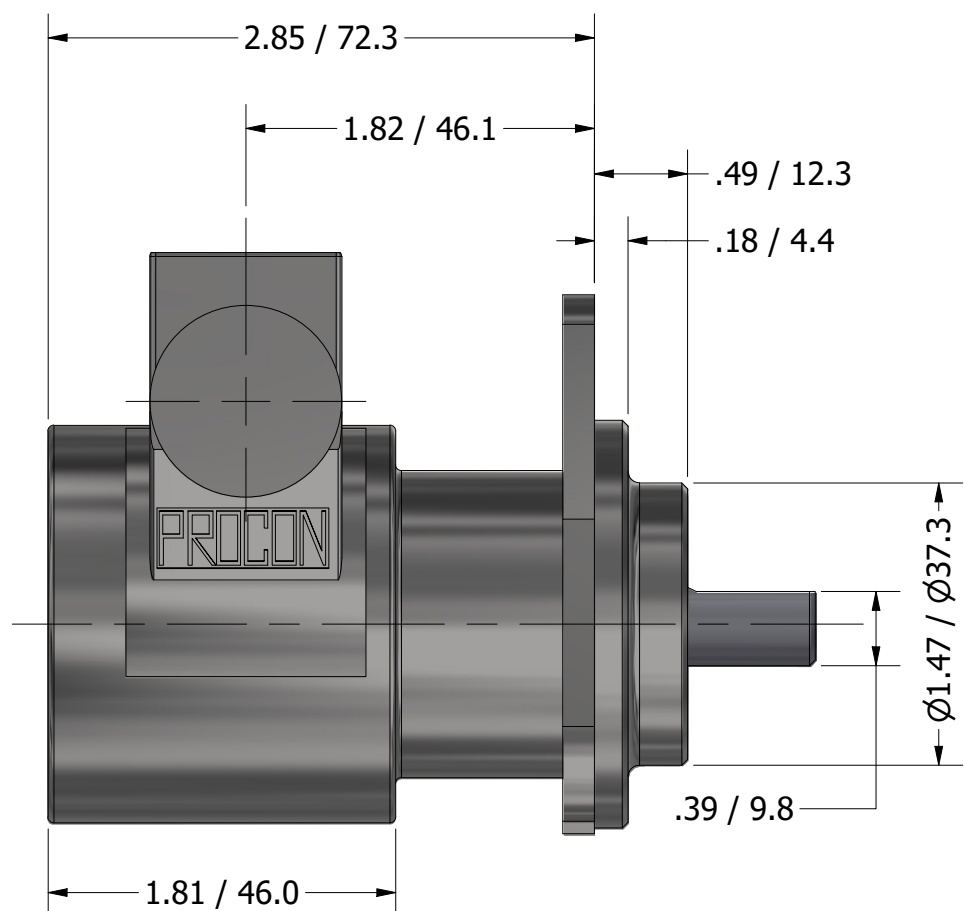


**SERIES 3  
ROTARY VANE PUMP  
BOLT-ON STYLE  
"E" MOUNTING  
3/8" NPT PORTS  
WITH RELIEF VALVE**



$\phi .28 / \phi 7.1$   
3 EQUALLY  
SPACED HOLES

**PROCON**<sup>®</sup>

custom | fluid | solutions<sup>®</sup>

a division of **Standex**

W1095