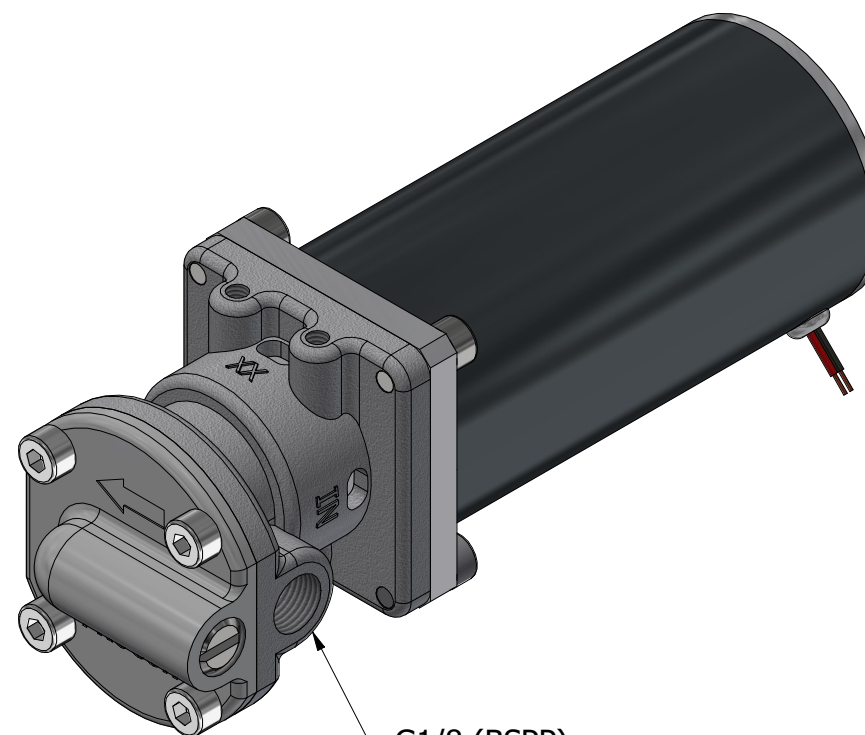
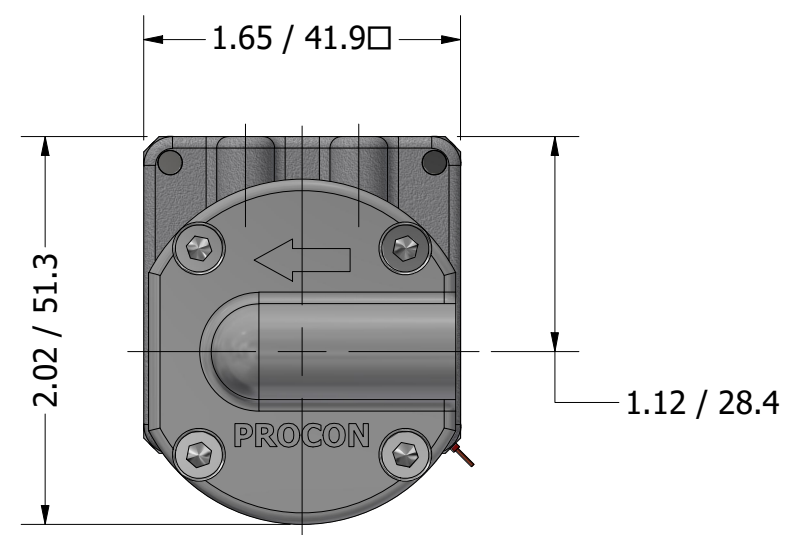
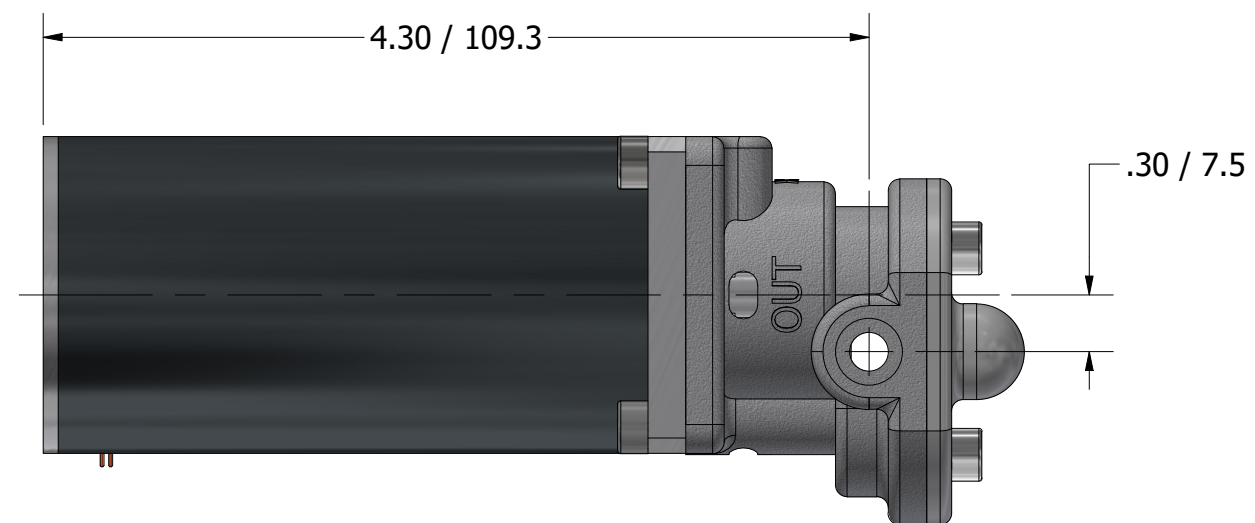
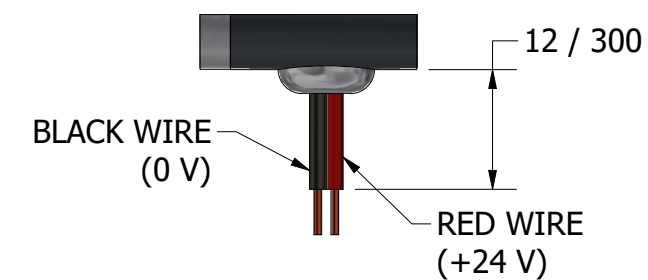


M4 X 0.7 X .236± .01 / 5.99± 0.3 DEEP
2 PLCS

MICRO GEAR PUMP 40 WATT MOTOR G1/8 (BSPP) PORTS WITH RELIEF VALVE



G1/8 (BSPP)
INLET/OUTLET PORTS



PROCON®

custom | fluid | solutions®

a division of Standex

W5027