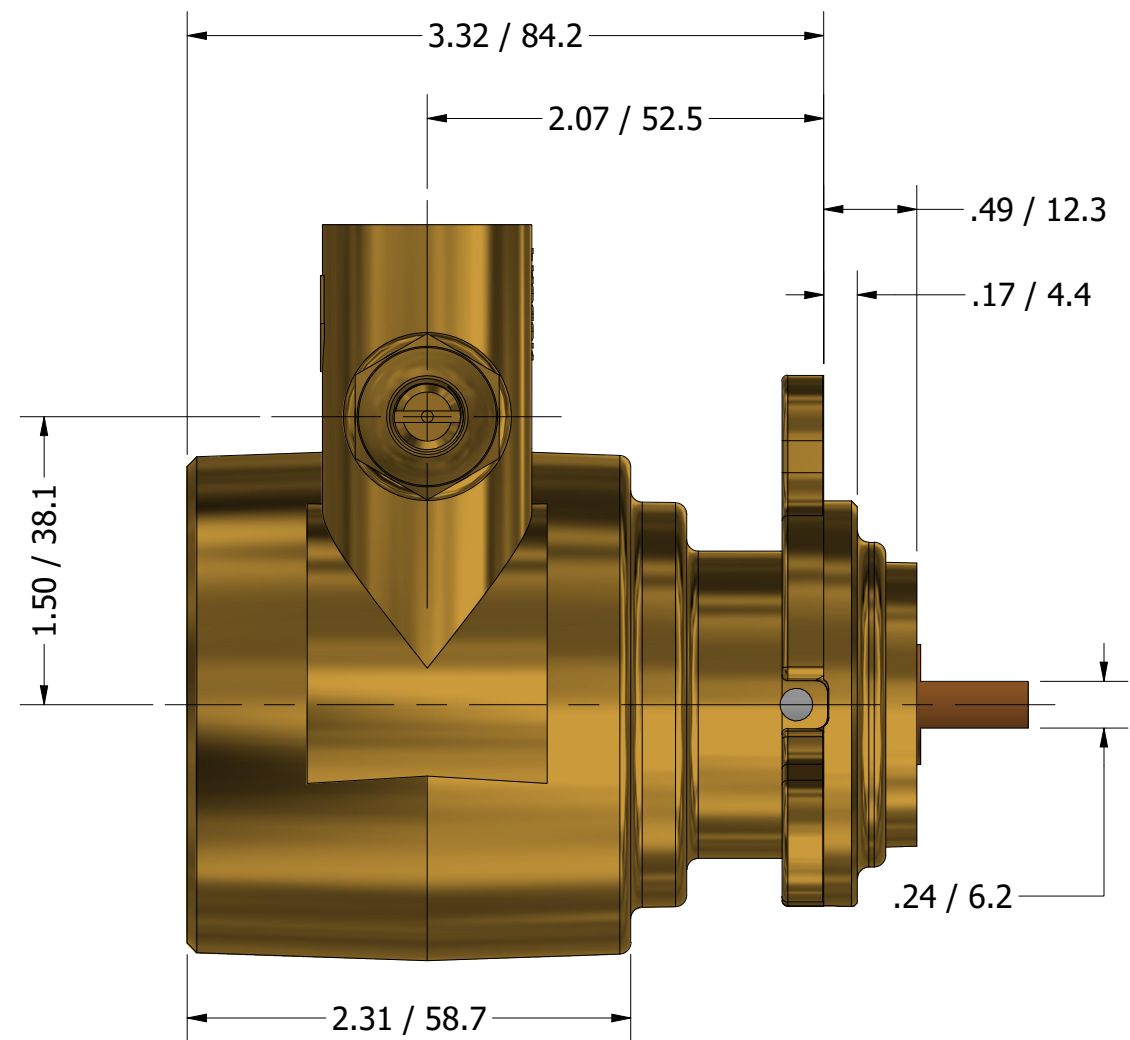
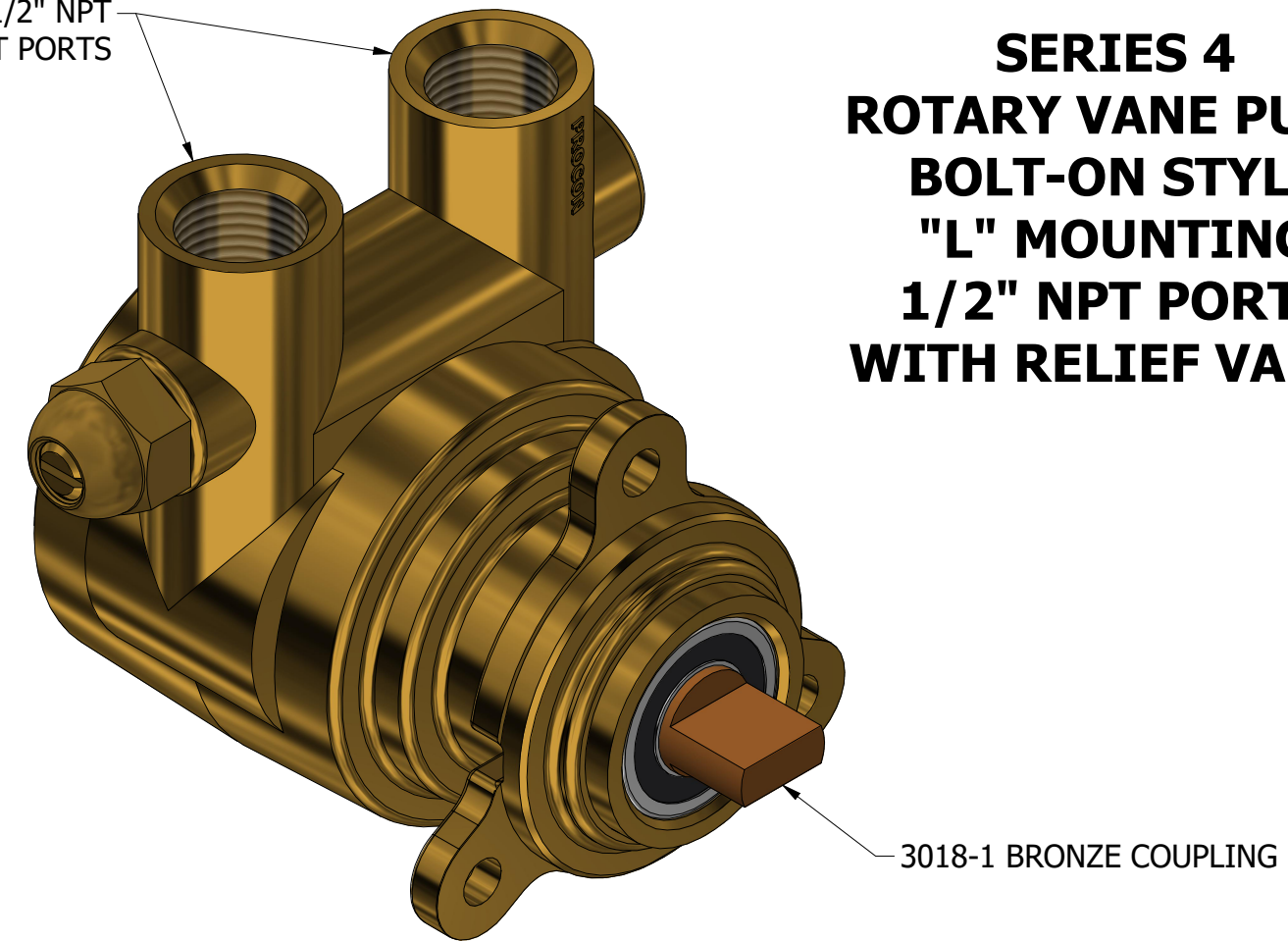


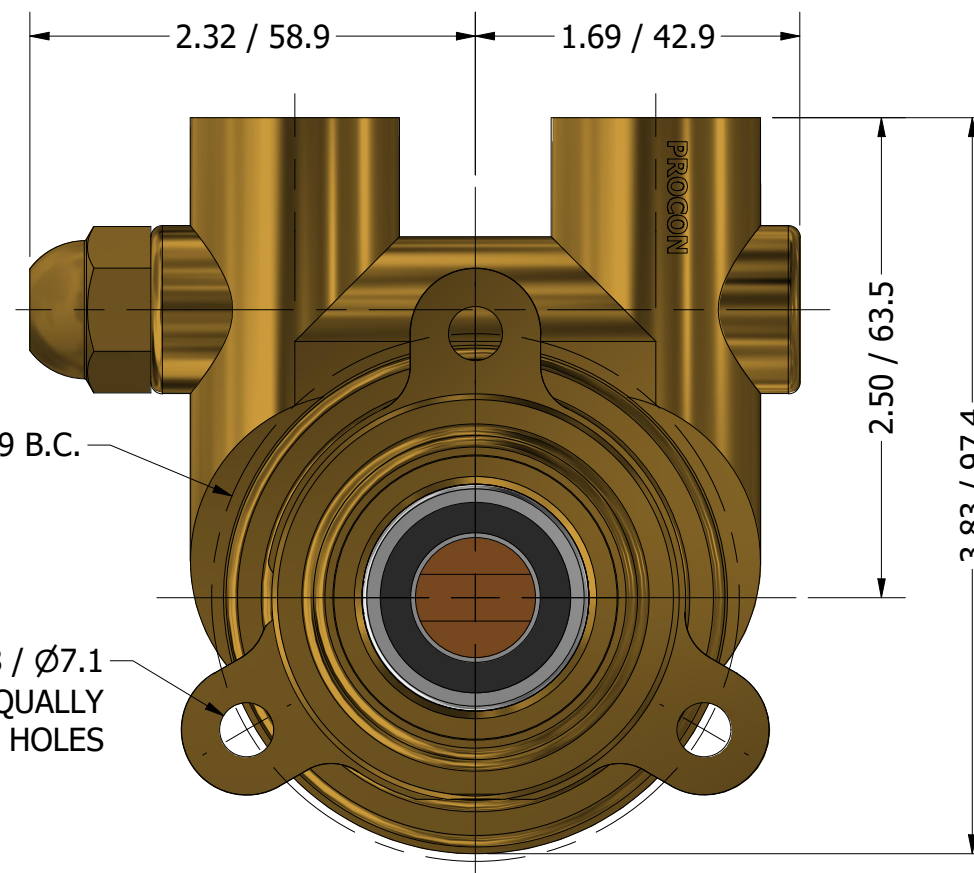
1/2" NPT  
INLET/OUTLET PORTS

**SERIES 4  
ROTARY VANE PUMP  
BOLT-ON STYLE  
"L" MOUNTING  
1/2" NPT PORTS  
WITH RELIEF VALVE**



$\phi 2.75 / \phi 69.9$  B.C.

$\phi .28 / \phi 7.1$   
3 EQUALLY  
SPACED HOLES



**PROCON**<sup>®</sup>  
custom | fluid | solutions<sup>®</sup>

a division of **Standex**

W1147