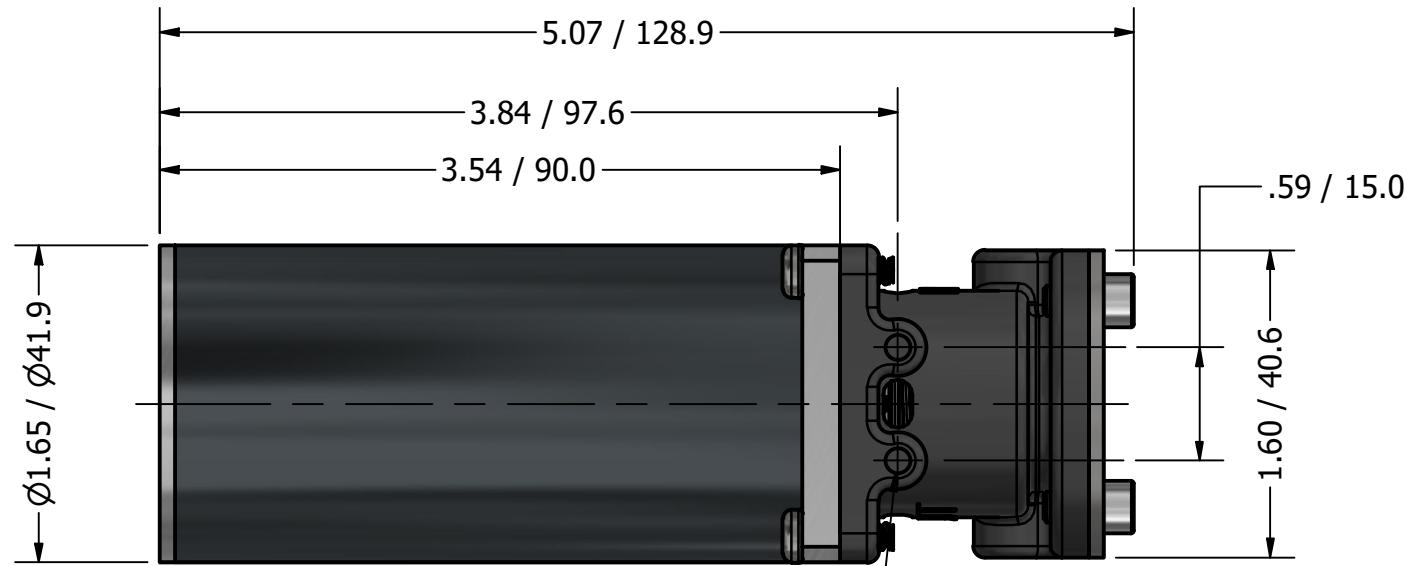
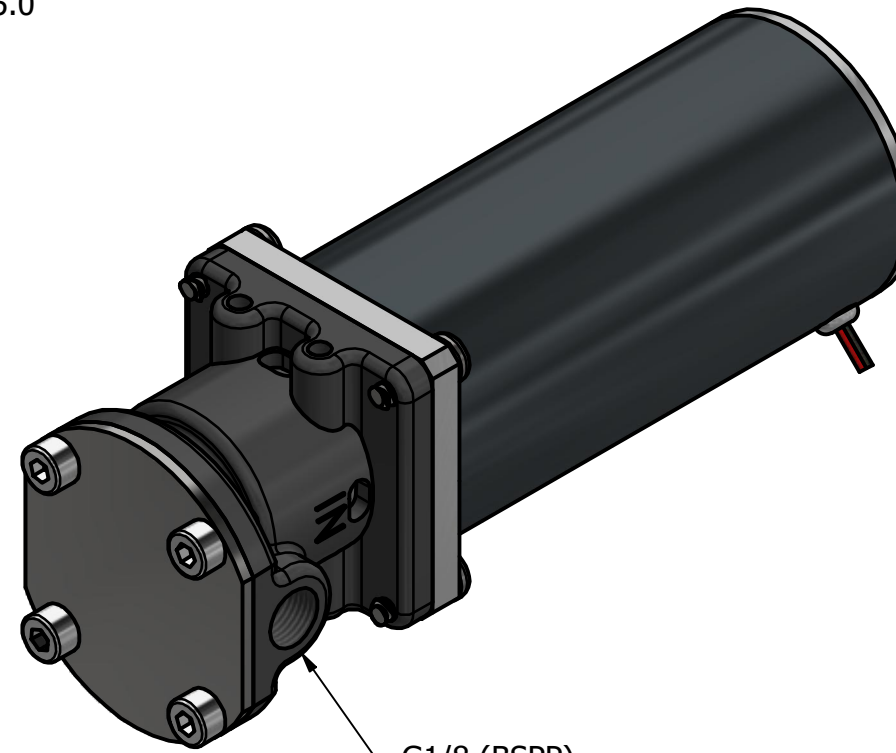


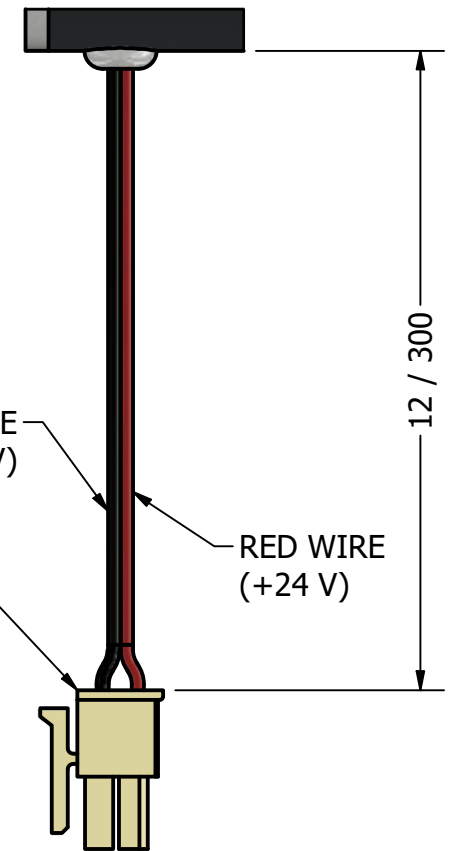
**MICRO GEAR PUMP  
20 WATT MOTOR  
G1/8 (BSPP) PORTS**



M4 X 0.7 X .236±.01 / 5.99±0.3 DEEP  
4 PLCS



G1/8 (BSPP)  
INLET/OUTLET PORTS



BLACK WIRE  
(0 V)

RED WIRE  
(+24 V)

MOLEX MICRO-FIT 3.0  
CONNECTOR

