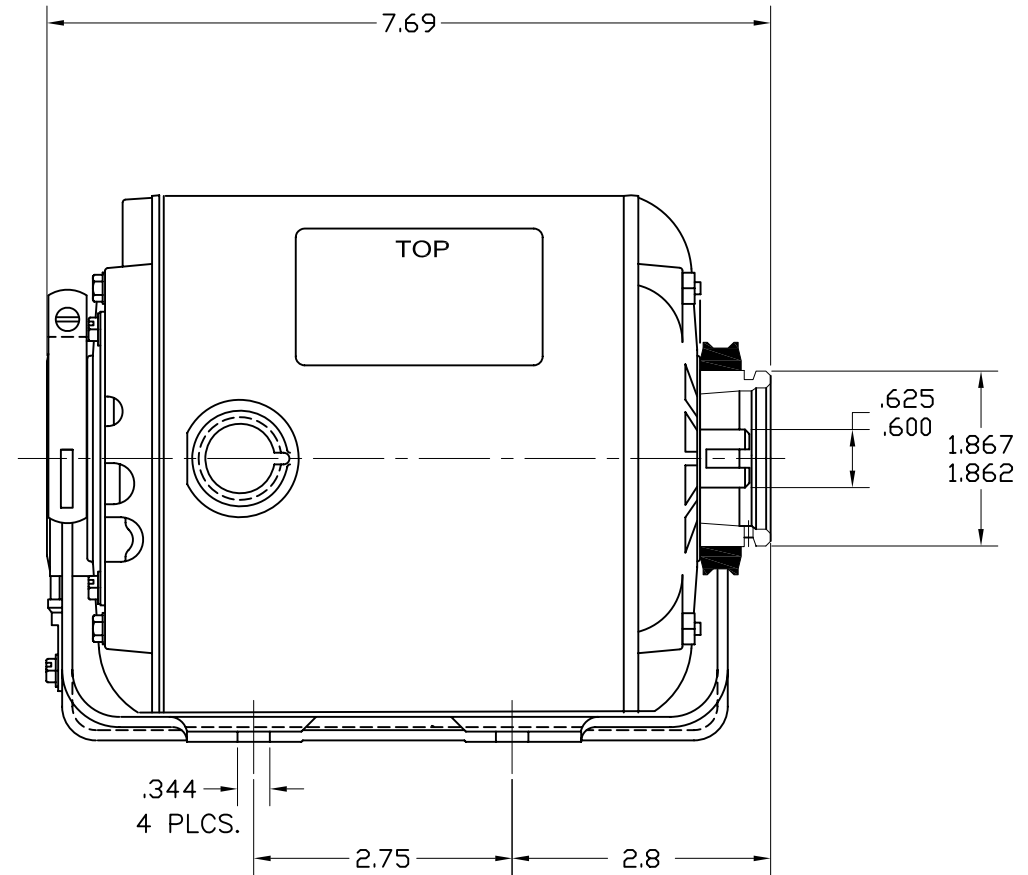
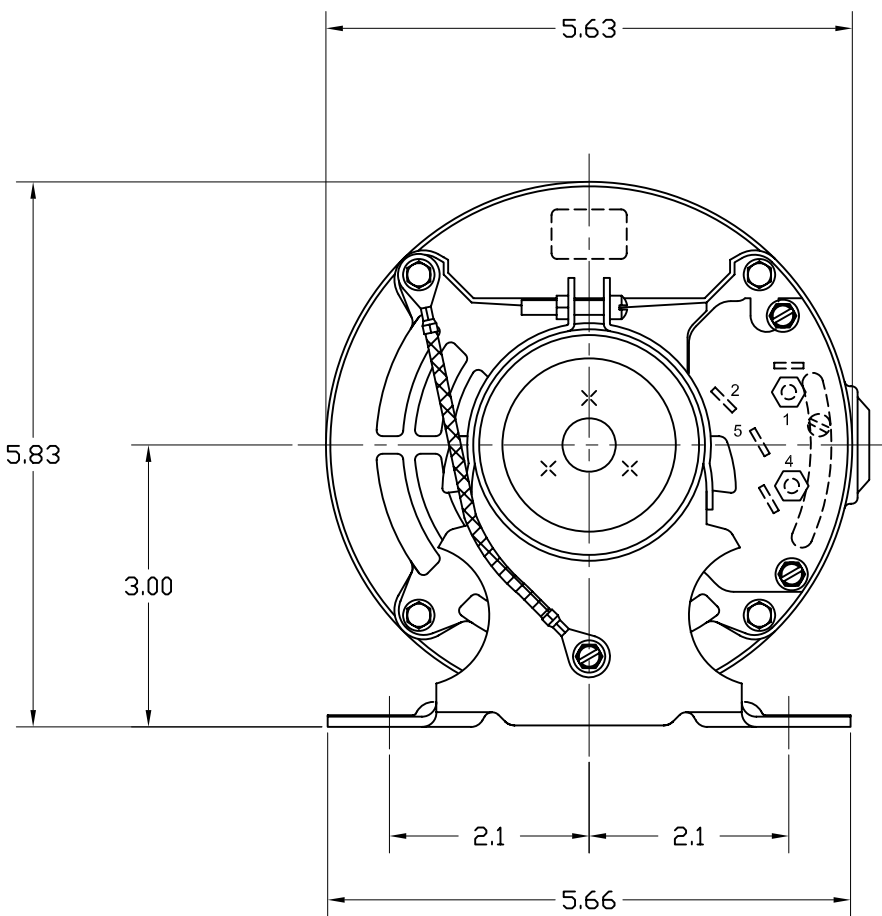


875 motor



<u>SPEED:</u>	1725/1425 RPM
<u>HORSEPOWER:</u>	1/4 HP
<u>SERVICE FACTOR:</u>	1.0
<u>PHASE:</u>	SINGLE
<u>CYCLE:</u>	60/50 HZ.
<u>VOLTS:</u>	100/120 - 200/240 VAC
<u>AMPS:</u>	4.9-5.0/2.4-2.5 5.4-6.6/2.7-3.3
<u>FRAME:</u>	48Y
<u>ENCLOSURE:</u>	ODP
<u>OVERLOAD PROT:</u>	AUTOMATIC
<u>INSULATION:</u>	CLASS B

869 Seven Oaks Blvd
 Suite 120
 Smyrna, TN 37167
 615-355-8000
mail@proconpump.com

PROCON[®]
 Products

Disclaimer:
 Dimensions are subject to change without notice and will vary slightly depending on the motor vendor selected for your order