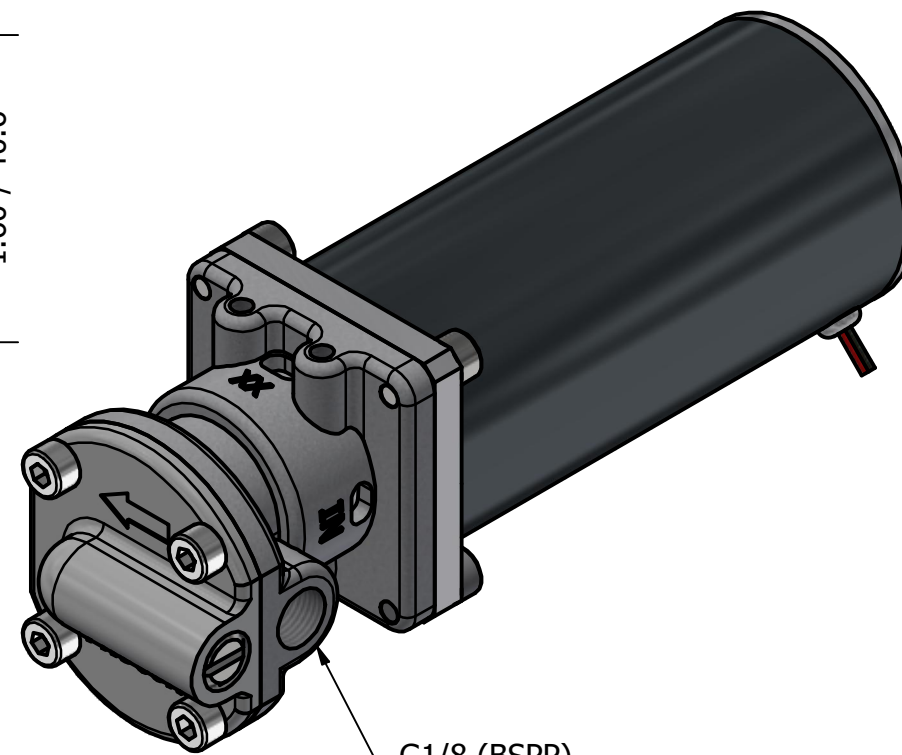


M4 X 0.7 X .236± .01 / 5.99± 0.3 DEEP  
 2 PLCS



G1/8 (BSPP)  
 INLET/OUTLET PORTS

**MICRO GEAR PUMP  
 20 WATT MOTOR  
 G1/8 (BSPP) PORTS  
 WITH RELIEF VALVE**

