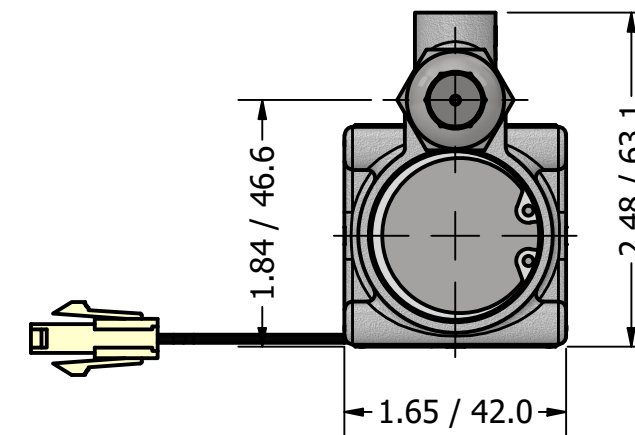
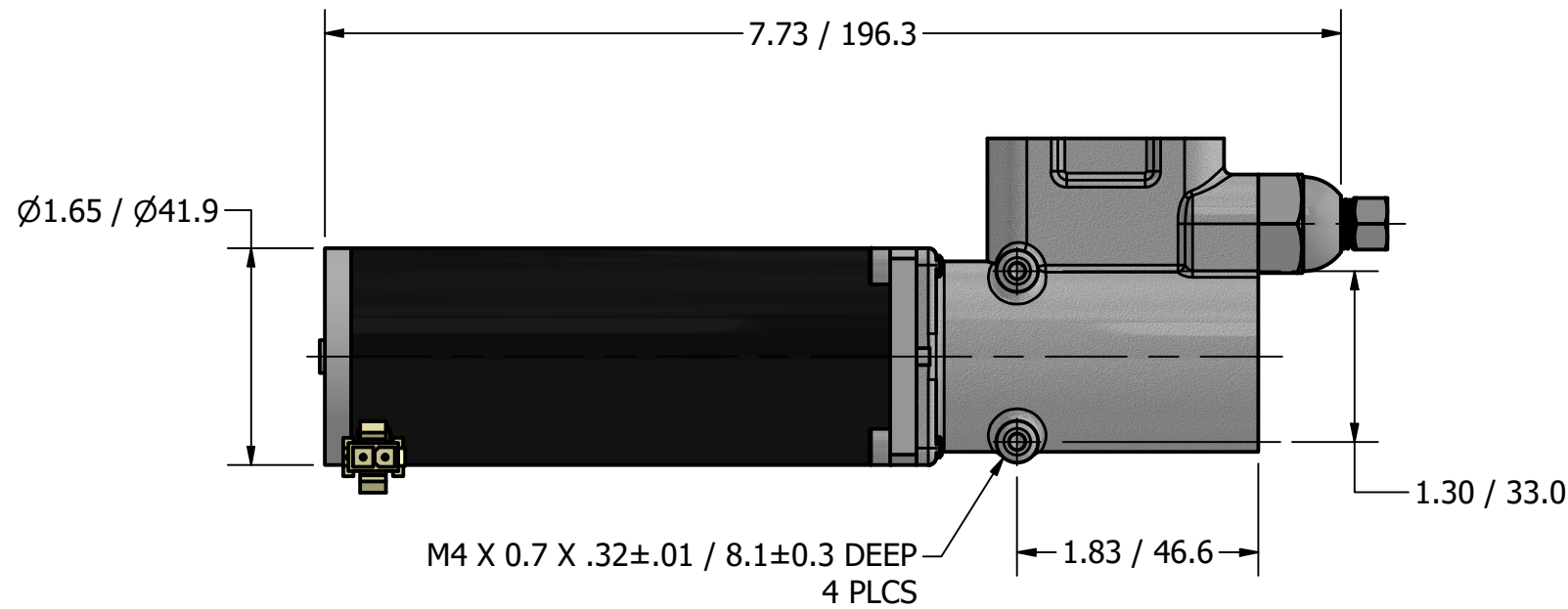
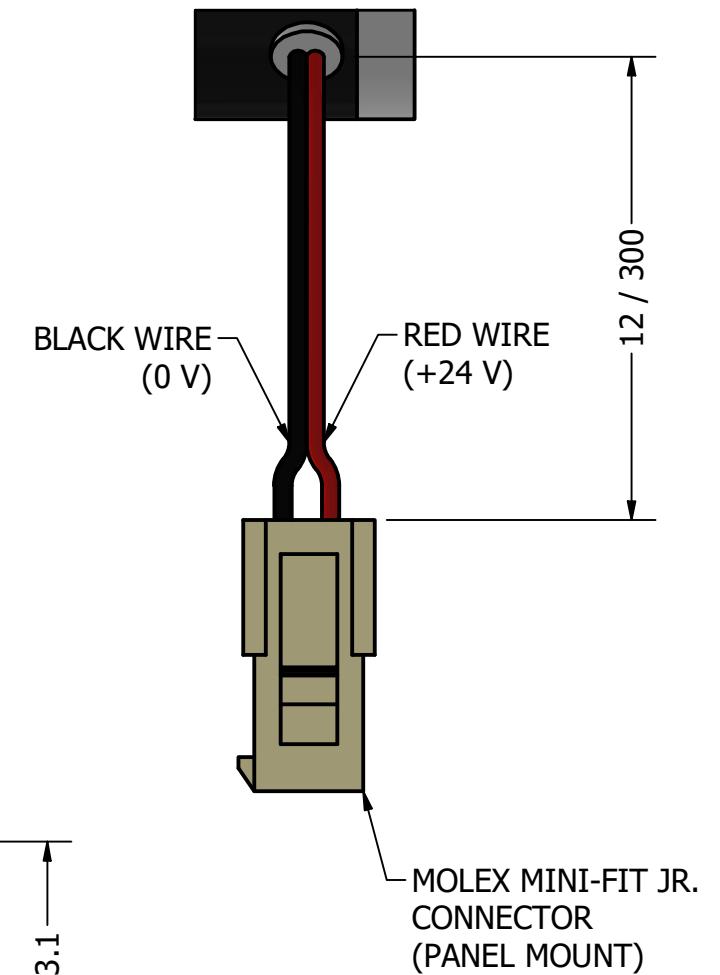
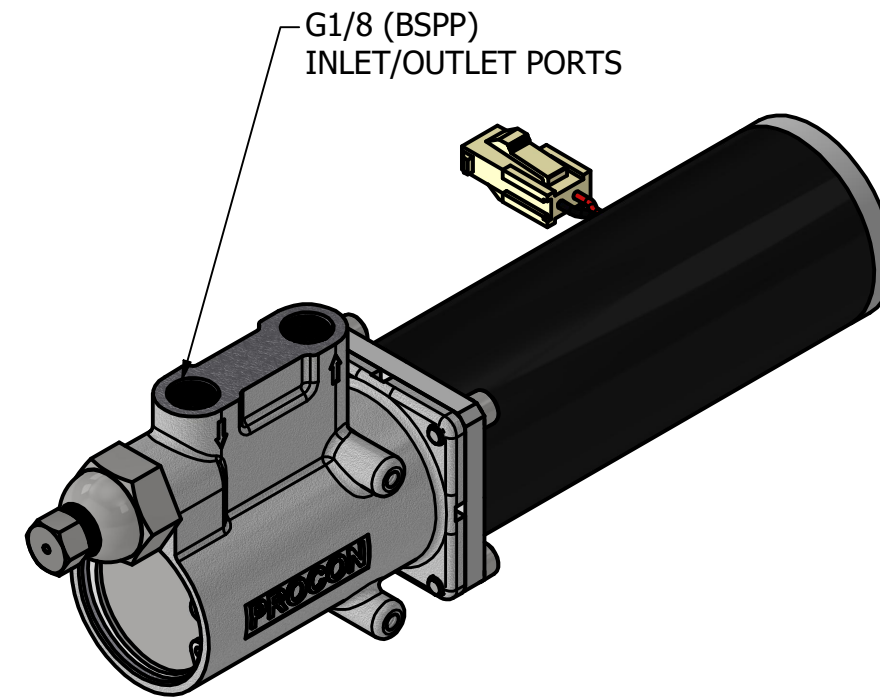
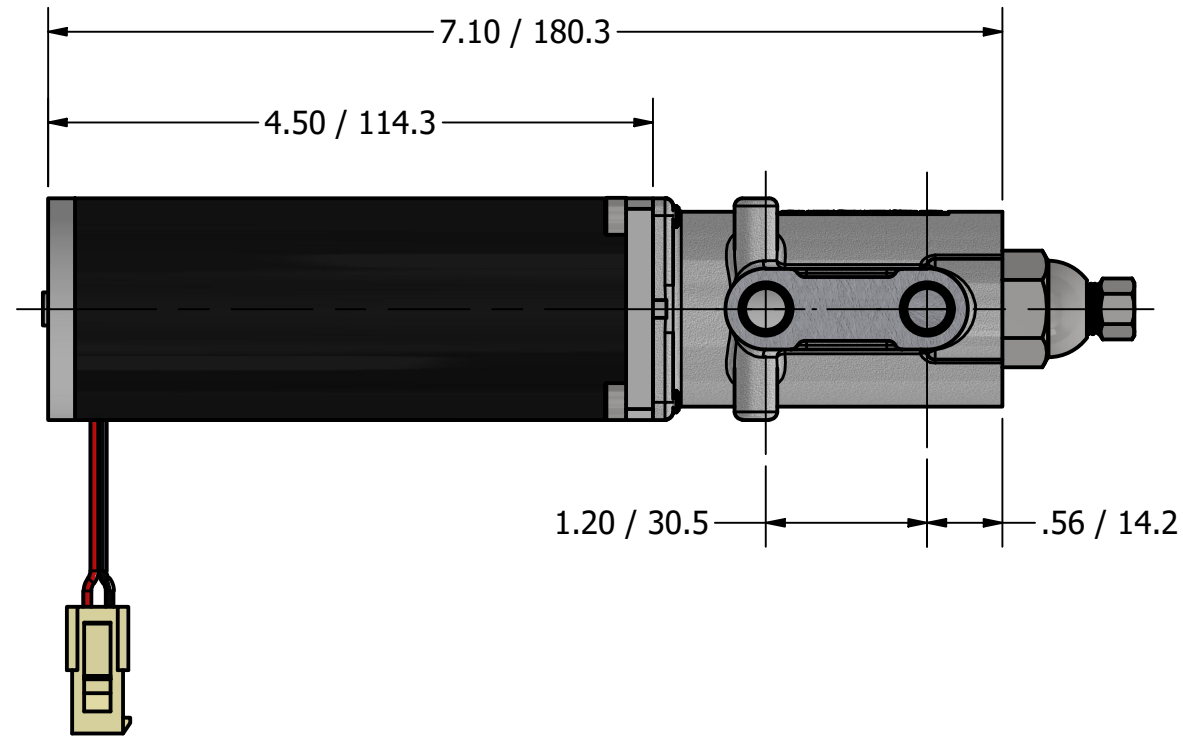


**MICRO VANE PUMP  
60 WATT MOTOR  
G1/8 (BSPP) PORTS  
WITH RELIEF VALVE**



**PROCON**<sup>®</sup>  
custom | fluid | solutions<sup>®</sup>

a division of **Standex**

W6017