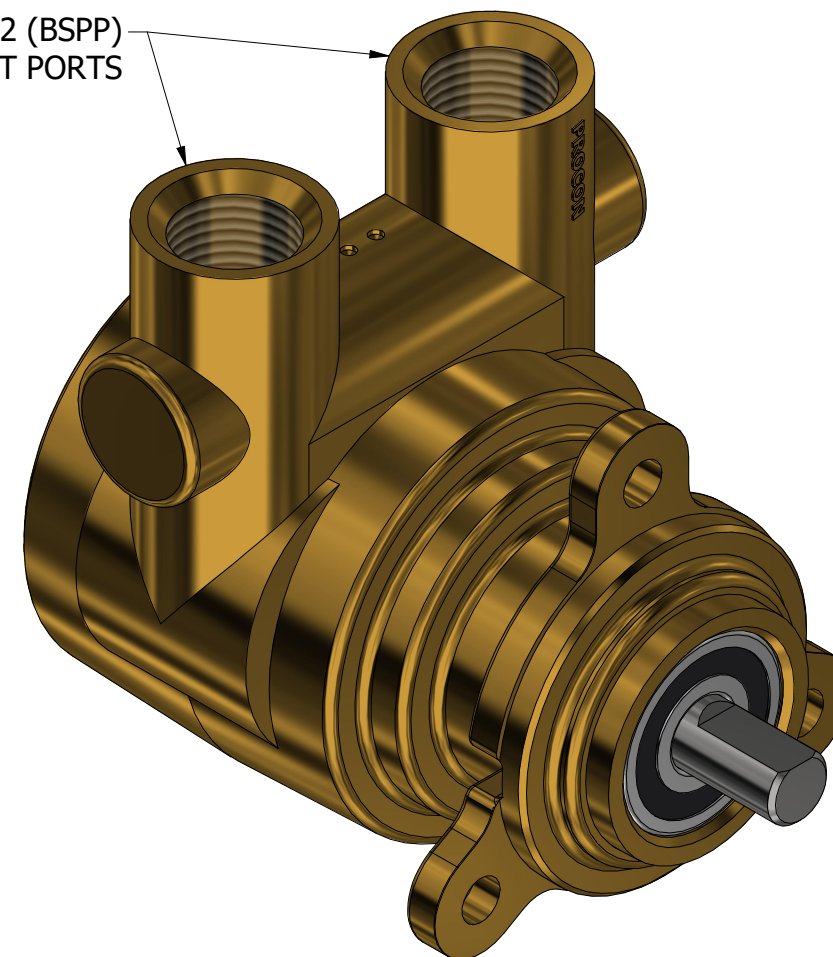
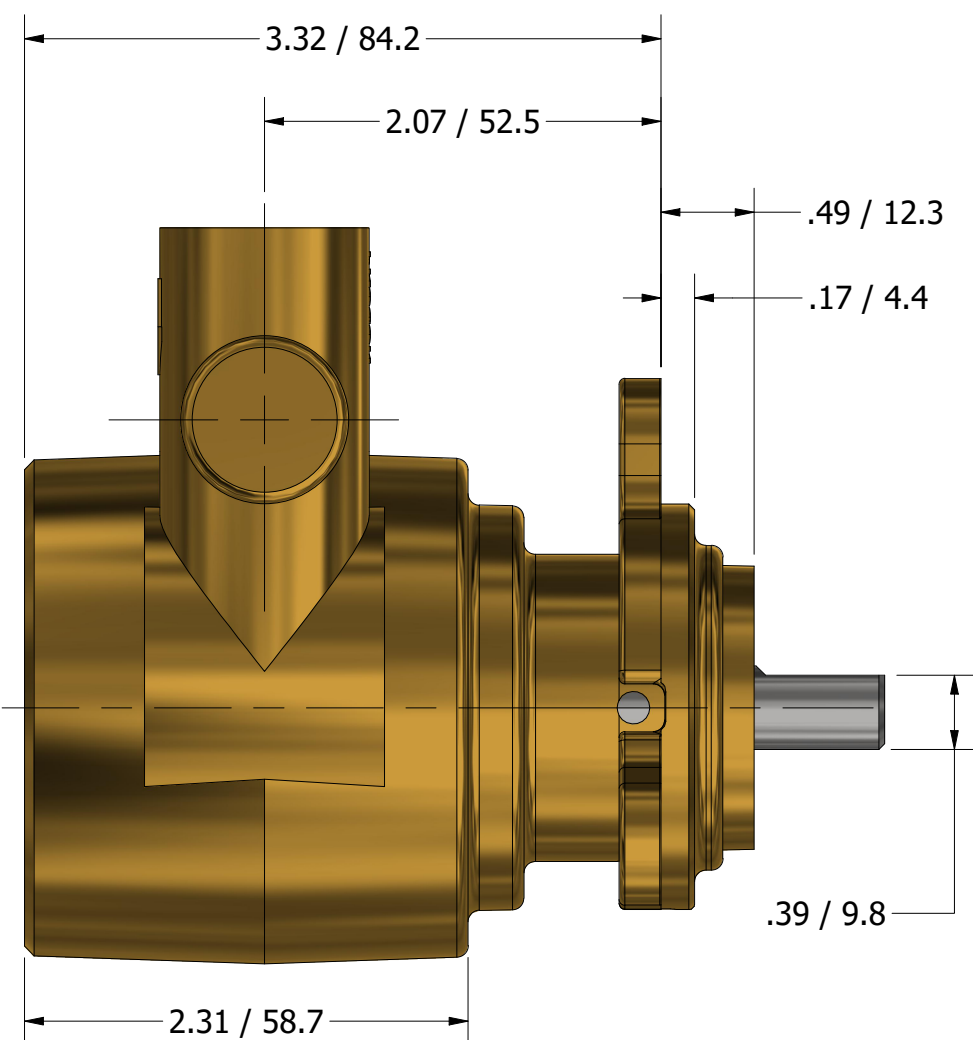


G1/2 (BSPP)
INLET/OUTLET PORTS

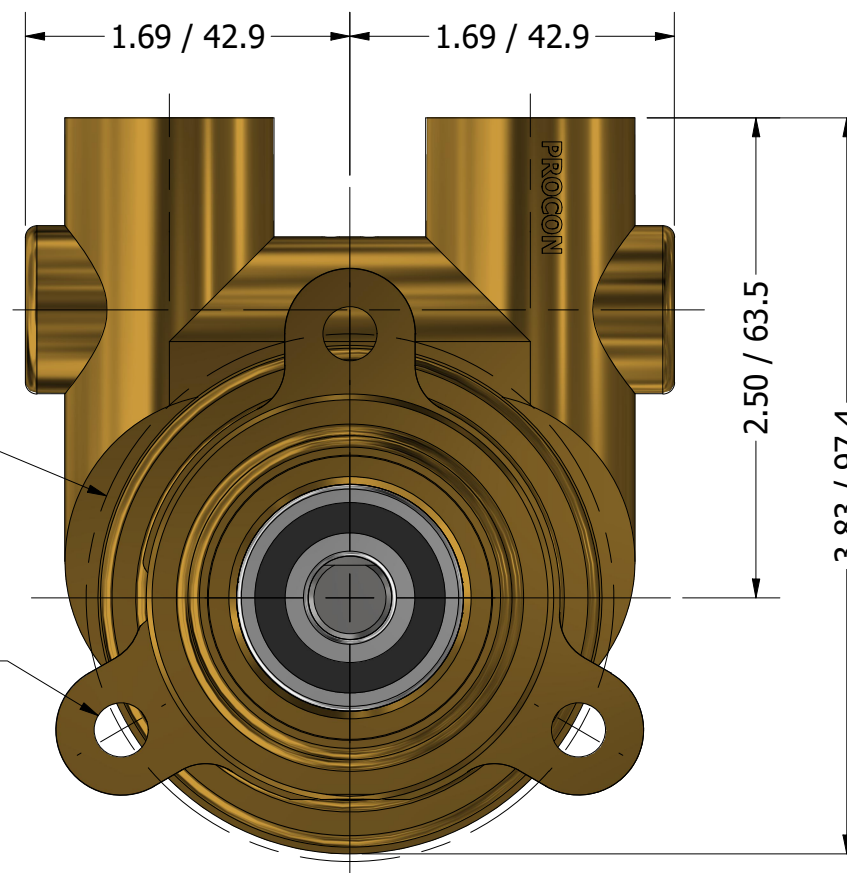


**SERIES 4
ROTARY VANE PUMP
BOLT-ON STYLE
"E" MOUNTING
G1/2 (BSPP) PORTS**



$\varnothing 2.75 / \varnothing 69.9$ B.C.

$\varnothing .28 / \varnothing 7.1$
3 EQUALLY
SPACED HOLES



PROCON[®]

custom | fluid | solutions[®]

a division of **Standex**

W1140