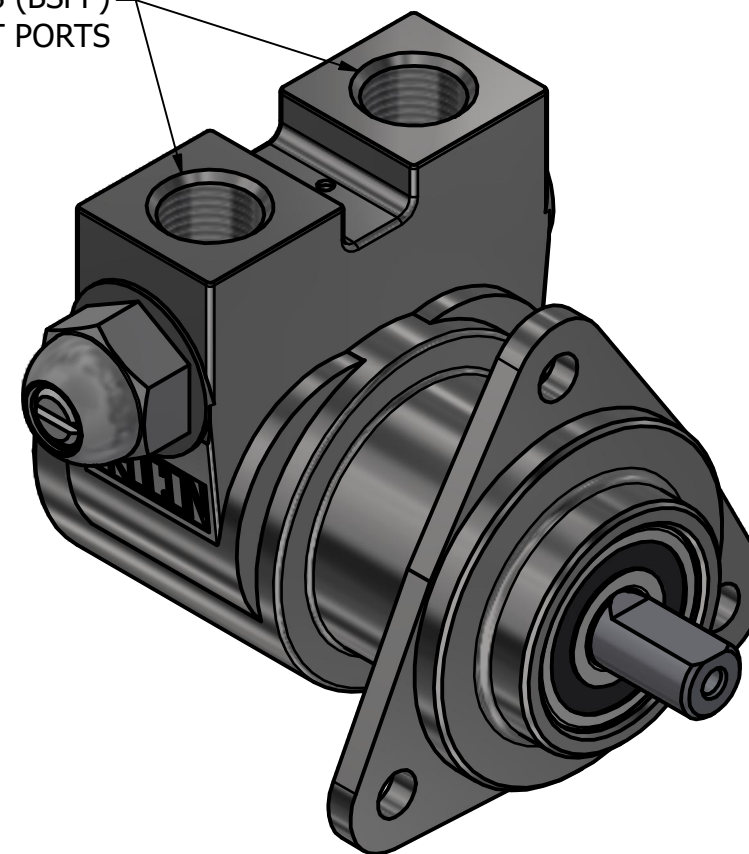
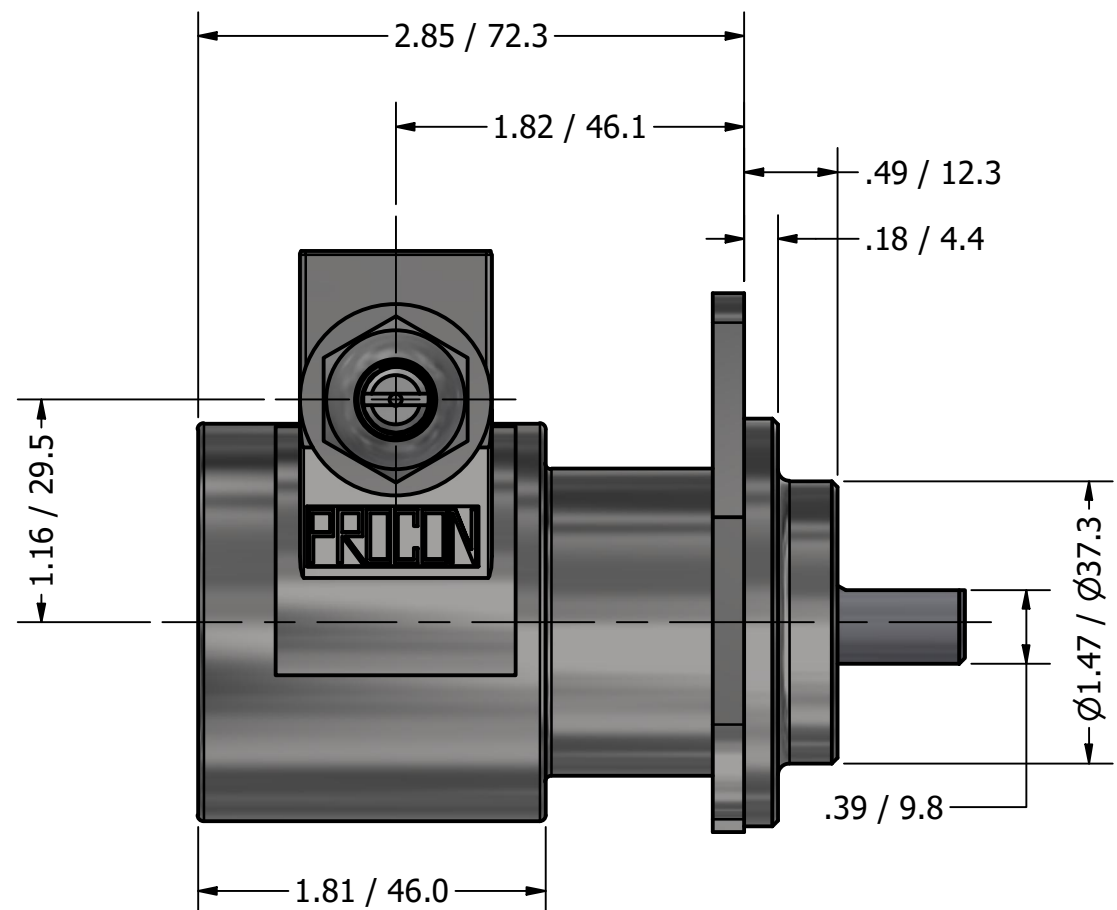


G3/8 (BSPP)
INLET/OUTLET PORTS

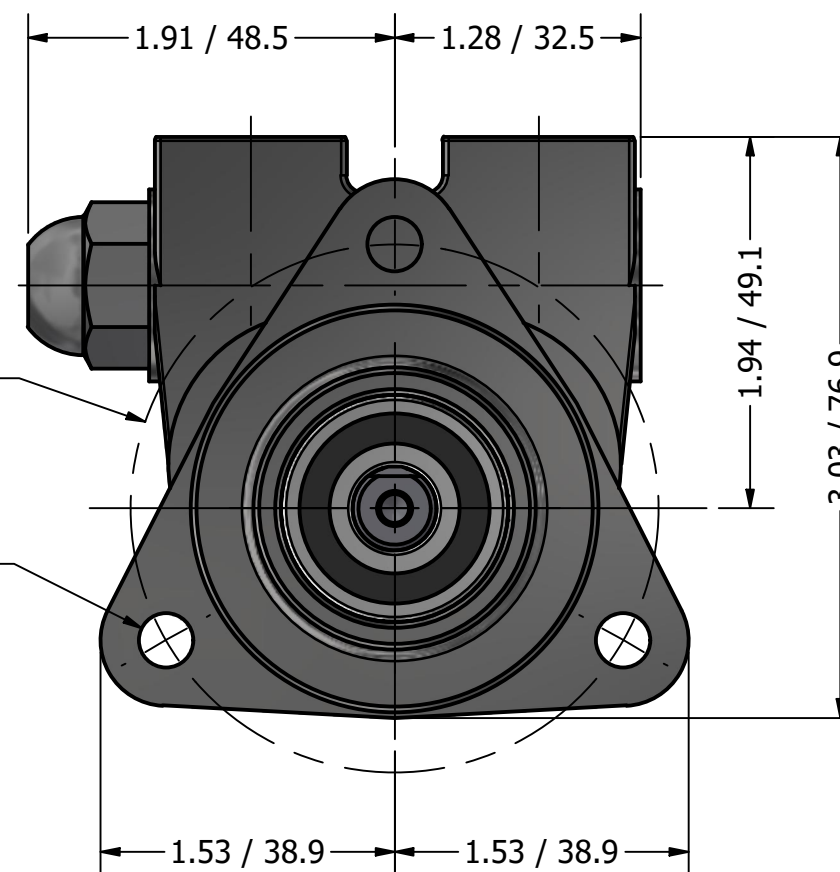


**SERIES 3
ROTARY VANE PUMP
BOLT-ON STYLE
"E" MOUNTING
G3/8 (BSPP) PORTS
WITH RELIEF VALVE**



$\varnothing 2.75 / \varnothing 69.9$ B.C.

$\varnothing .28 / \varnothing 7.1$
3 EQUALLY
SPACED HOLES



PROCON[®]
custom | fluid | solutions[®]