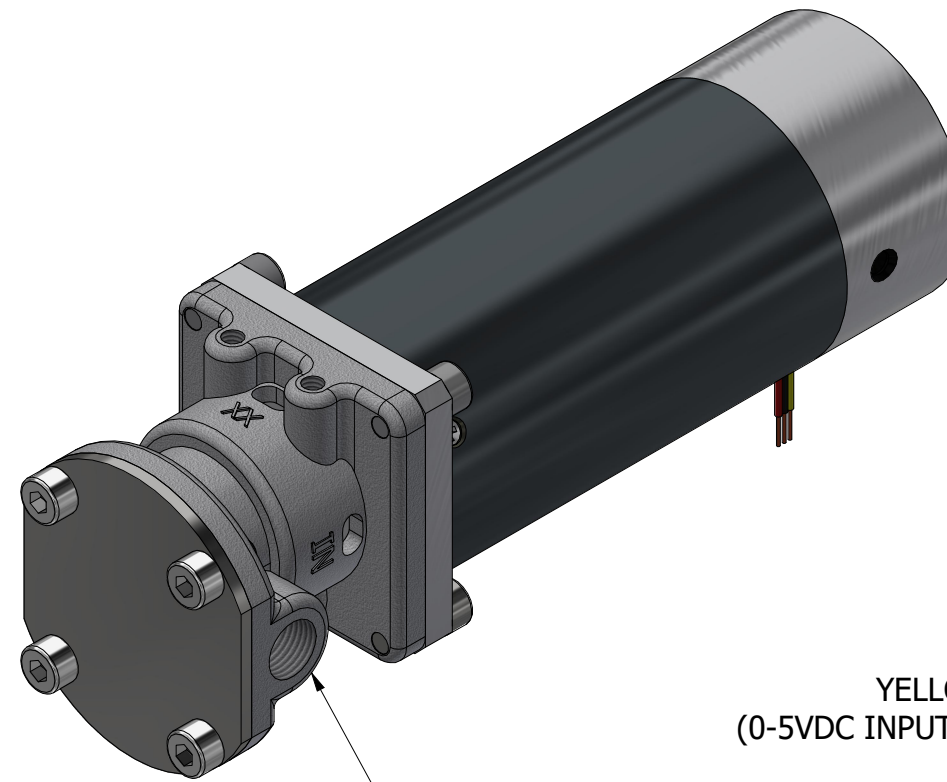
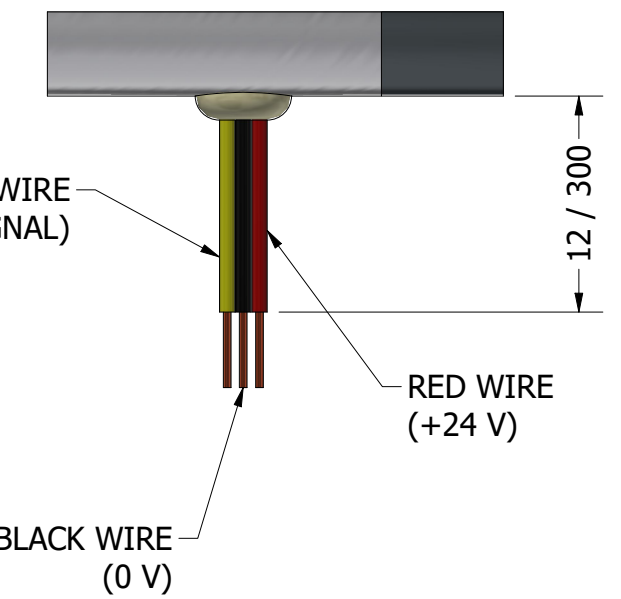


M4 X 0.7 X .236± .01 / 5.99± 0.3 DEEP
2 PLCS



MICRO GEAR PUMP 40 WATT MOTOR G1/8 (BSPP) PORTS

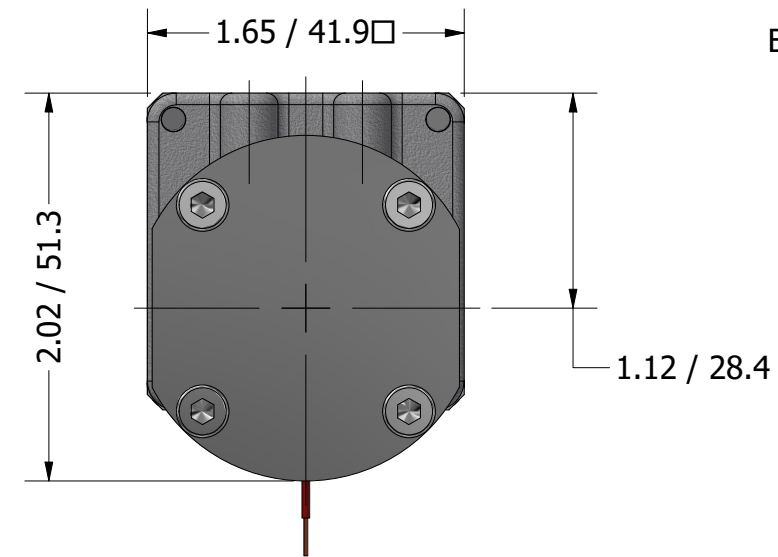
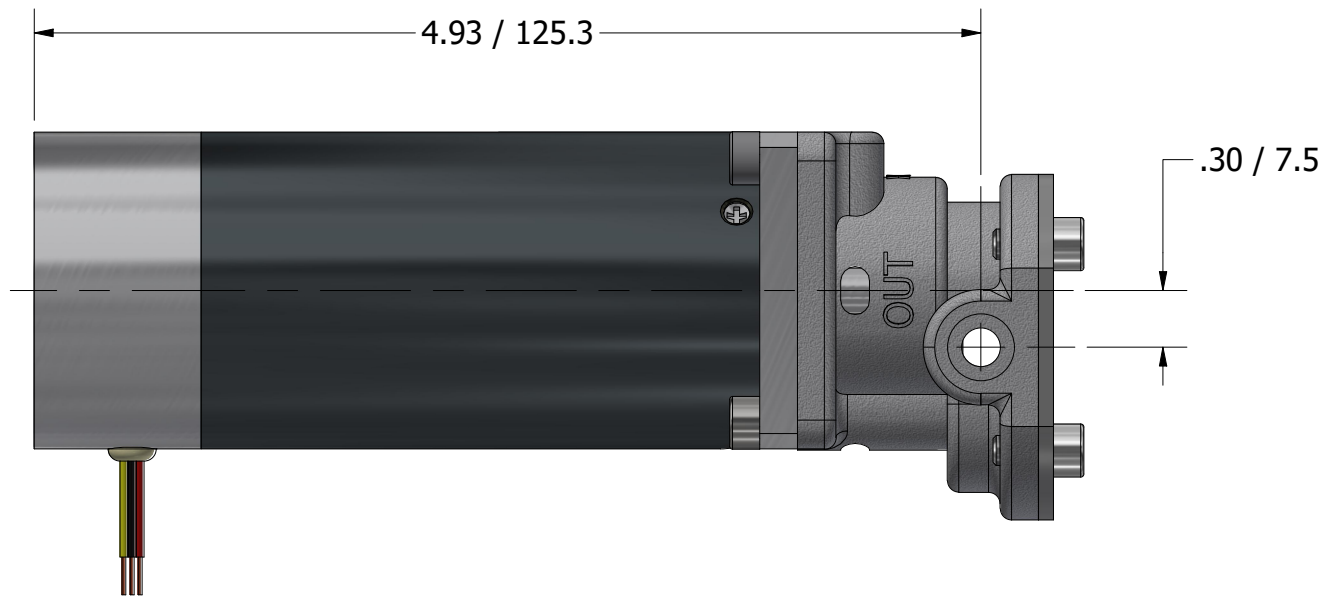
G1/8 (BSPP)
INLET/OUTLET PORTS



YELLOW WIRE
(0-5VDC INPUT SIGNAL)

RED WIRE
(+24 V)

BLACK WIRE
(0 V)



PROCON[®]

custom | fluid | solutions[®]

a division of **Standex**

W5012