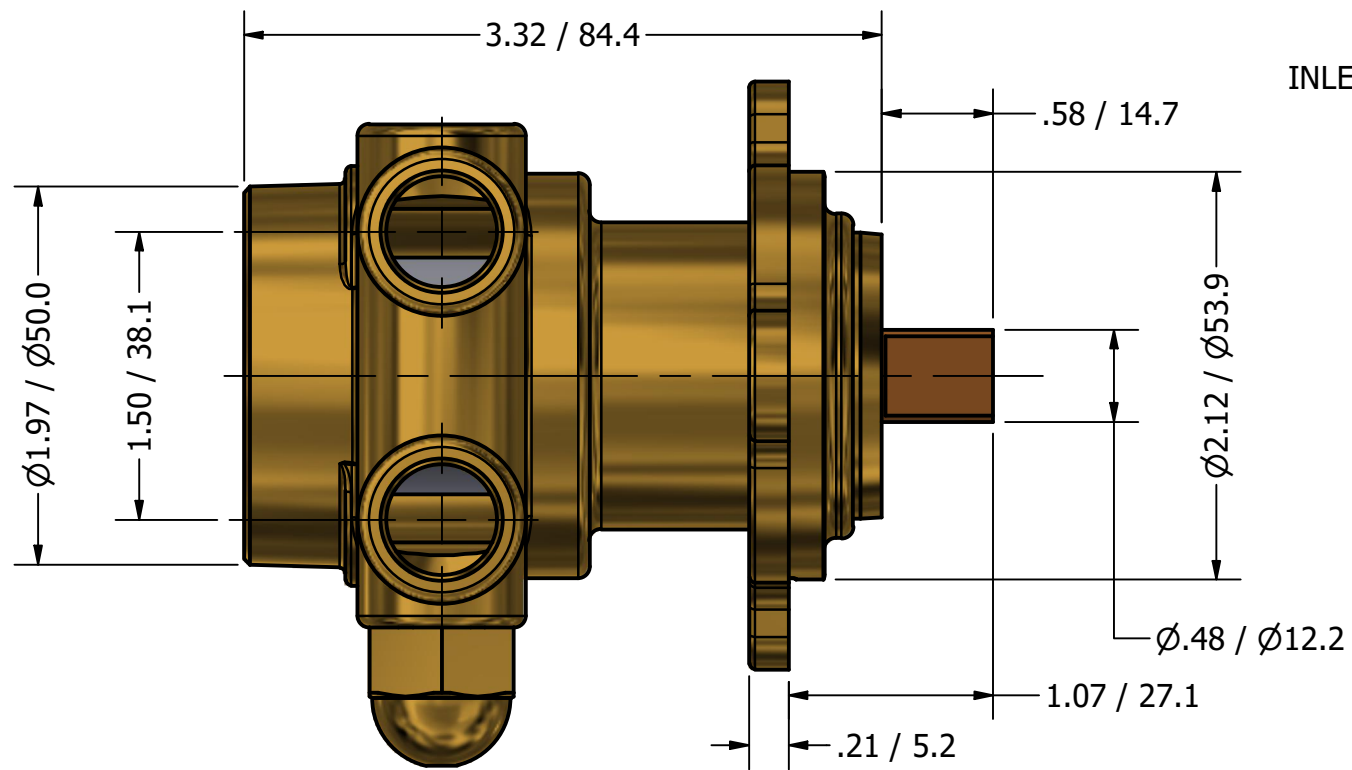
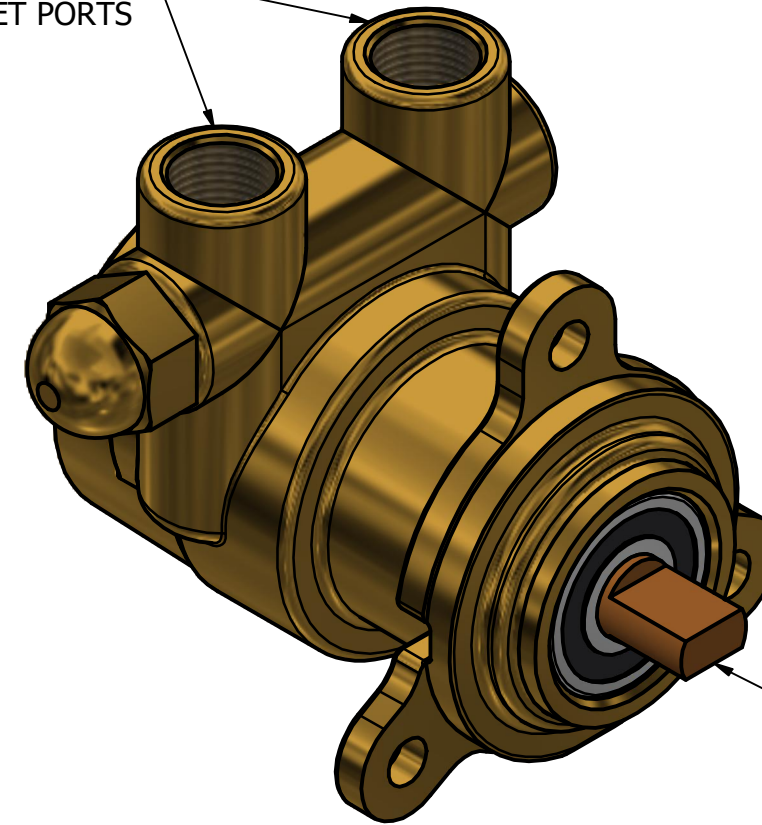


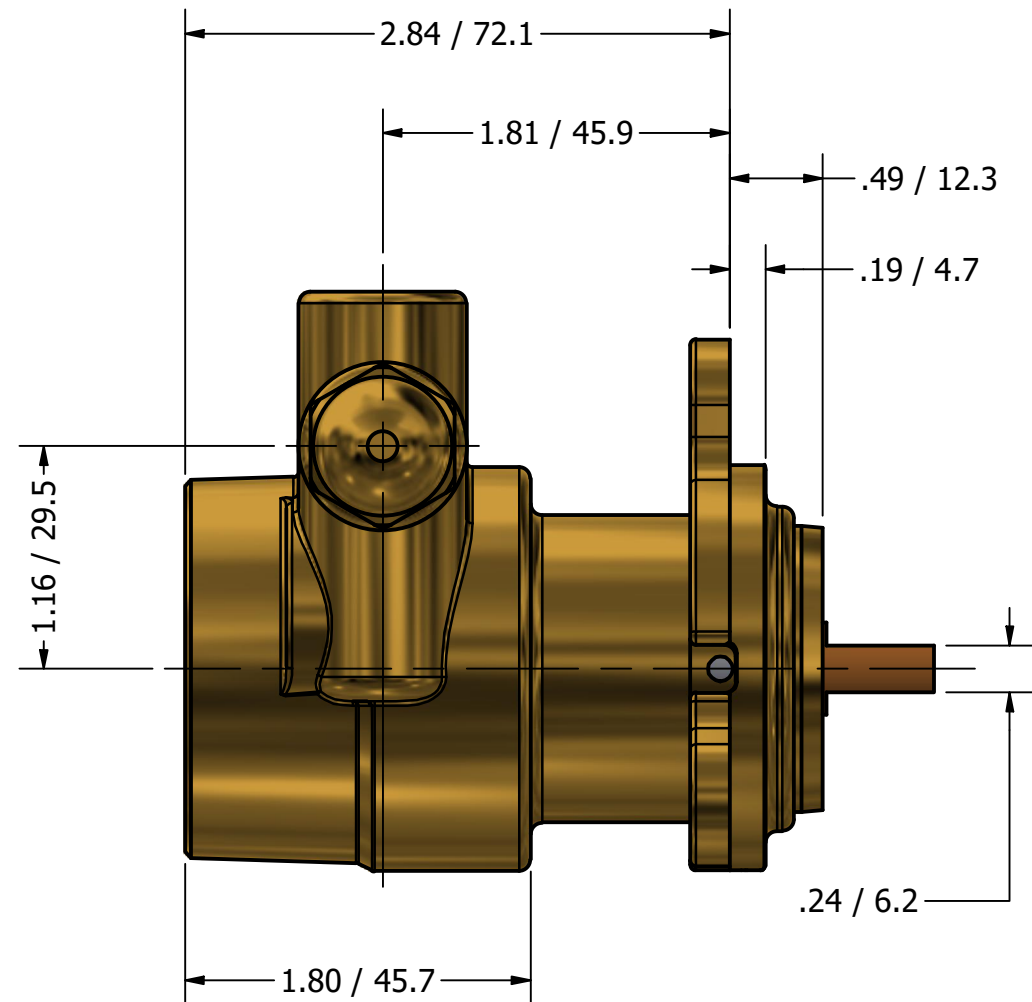
**SERIES 2
ROTARY VANE PUMP
BOLT-ON STYLE
"K" MOUNTING
3/8" NPT PORTS
WITH RELIEF VALVE**



3/8" NPT
INLET/OUTLET PORTS



3018 BRONZE COUPLING



$\phi 2.75 / \phi 69.9$ B.C.

$\phi .28 / \phi 7.1$
3 EQUALLY
SPACED HOLES

