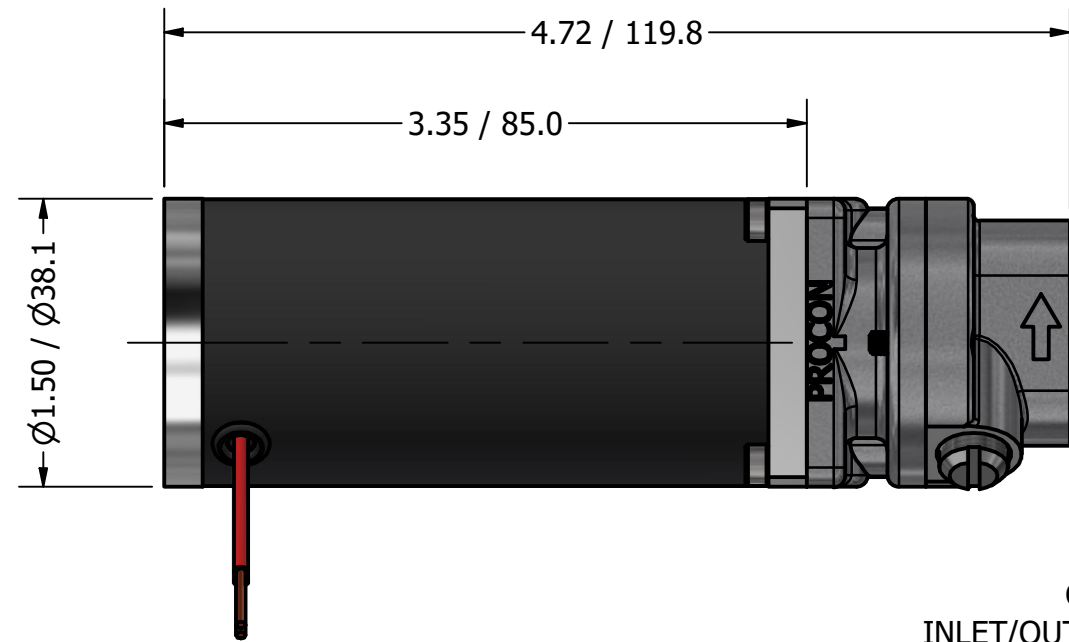


**NAUTILUS GEAR PUMP
20 WATT MOTOR
G1/8 (BSPP) PORTS
WITH RELIEF VALVE**



G1/8 (BSPP)
INLET/OUTLET PORTS

