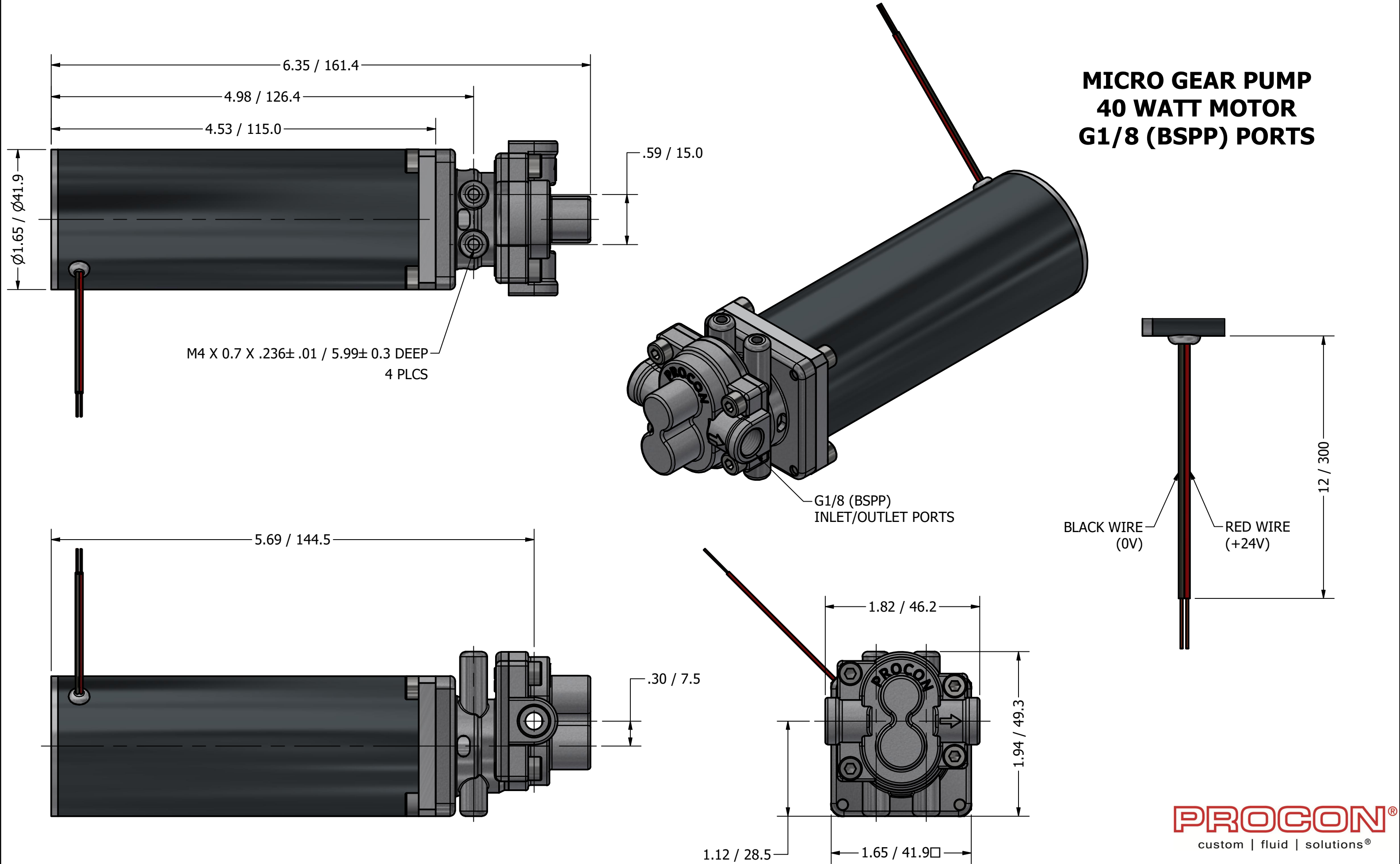


MICRO GEAR PUMP 40 WATT MOTOR G1/8 (BSPP) PORTS



M4 X 0.7 X .236± .01 / 5.99± 0.3 DEEP
4 PLCS

G1/8 (BSPP)
INLET/OUTLET PORTS

BLACK WIRE
(0V)

RED WIRE
(+24V)

PROCON[®]
custom | fluid | solutions[®]

W5006 v2