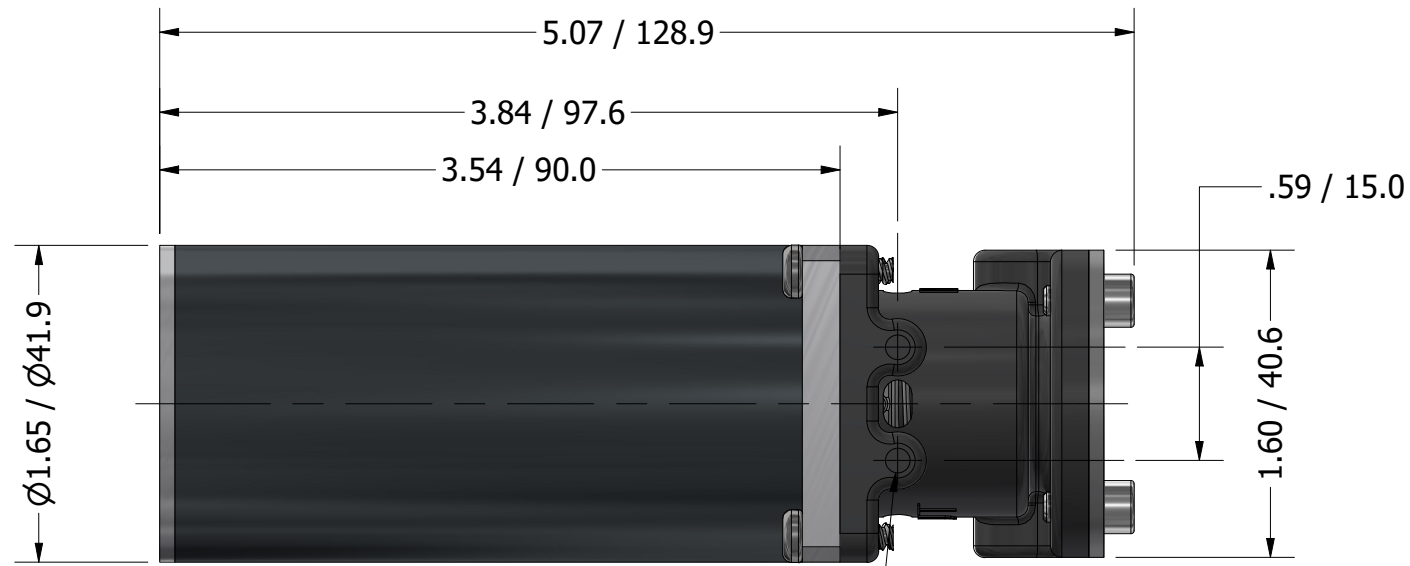
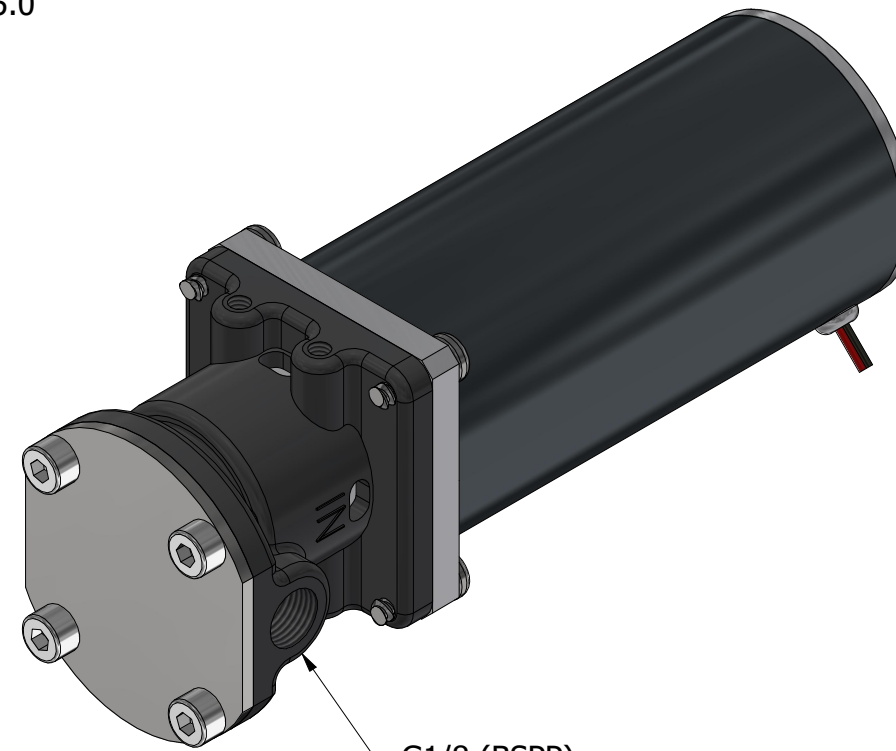


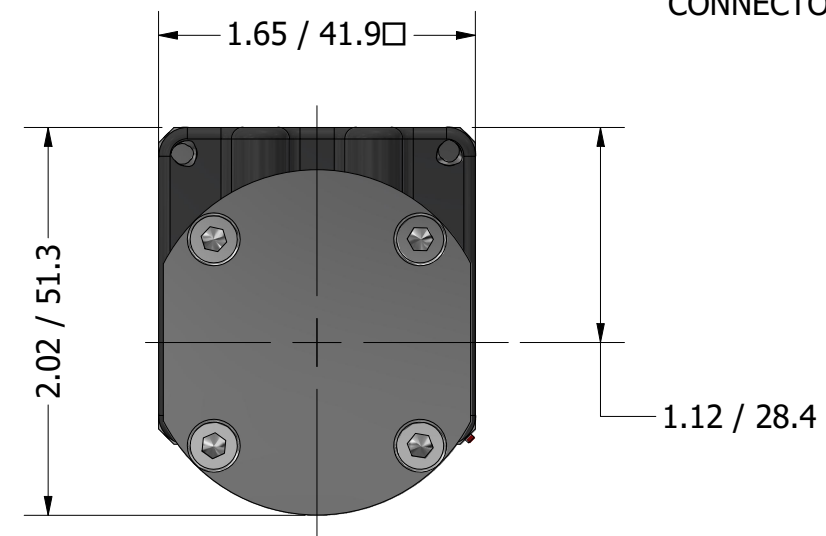
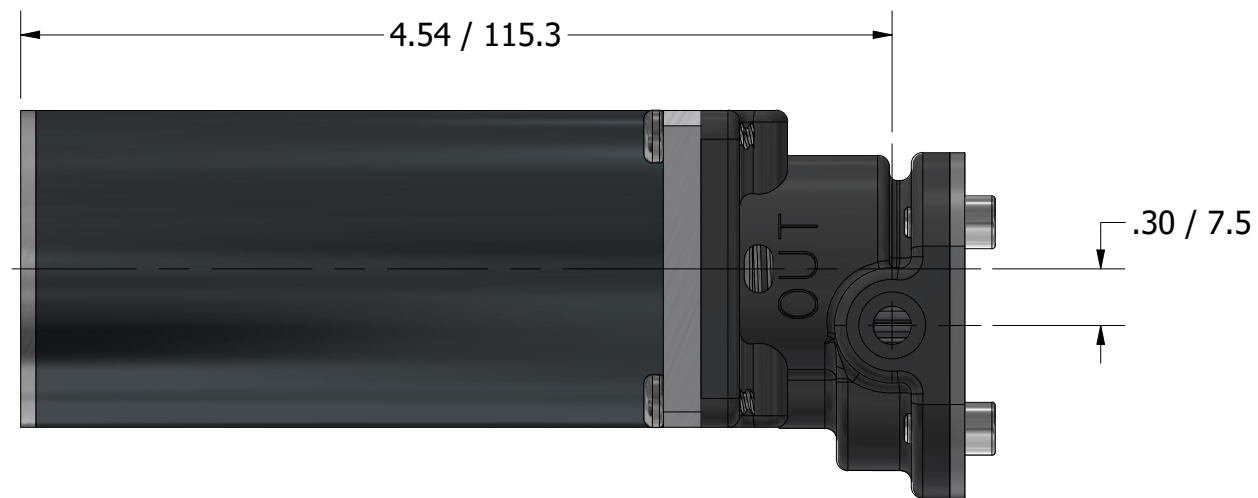
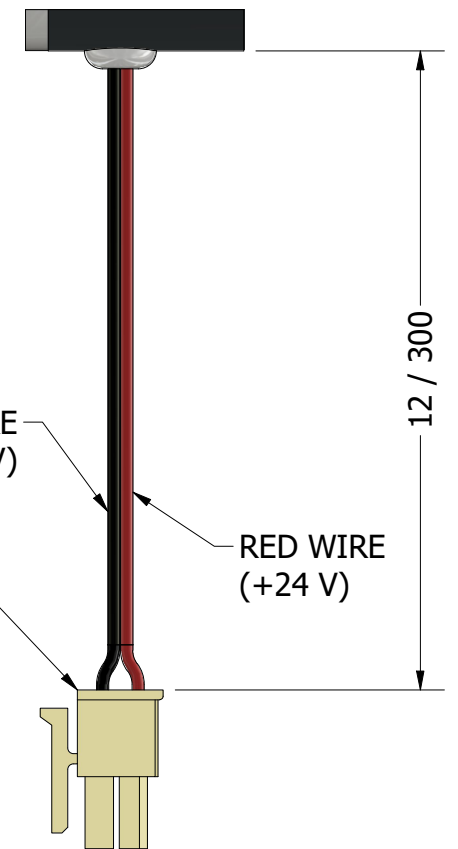
**MICRO GEAR PUMP  
20 WATT MOTOR  
G1/8 (BSPP) PORTS**



M4 X 0.7 X .236±.01 / 5.99±0.3 DEEP  
4 PLCS



G1/8 (BSPP)  
INLET/OUTLET PORTS



**PROCON**<sup>®</sup>

custom | fluid | solutions<sup>®</sup>

a division of **Standex**

W5030