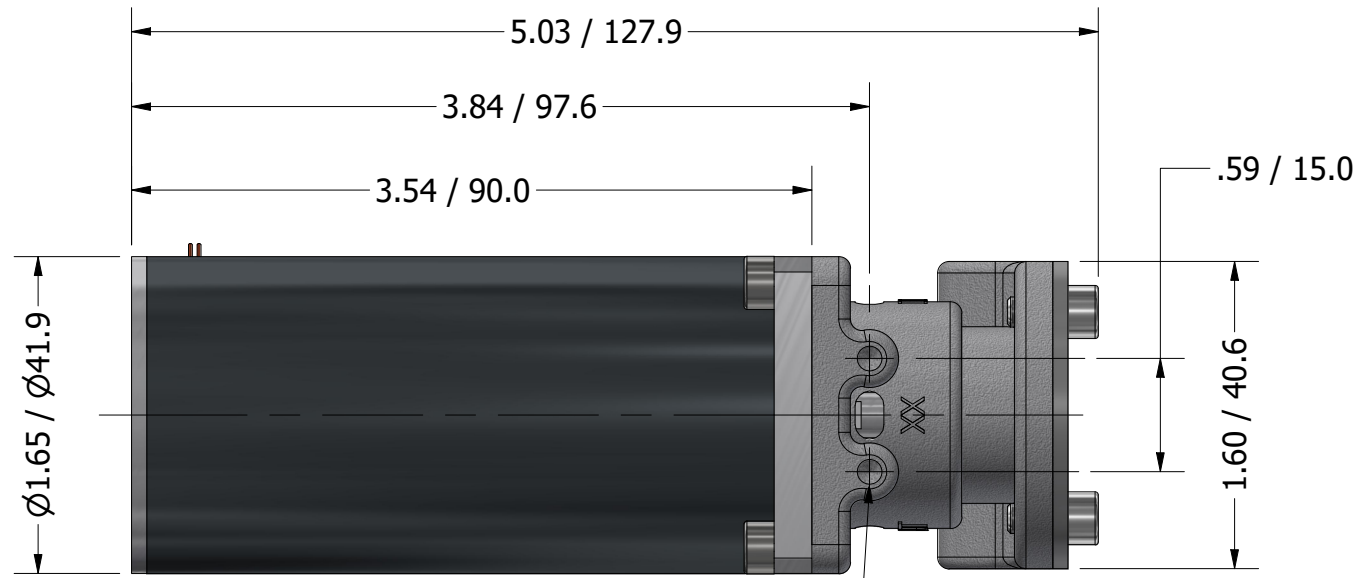
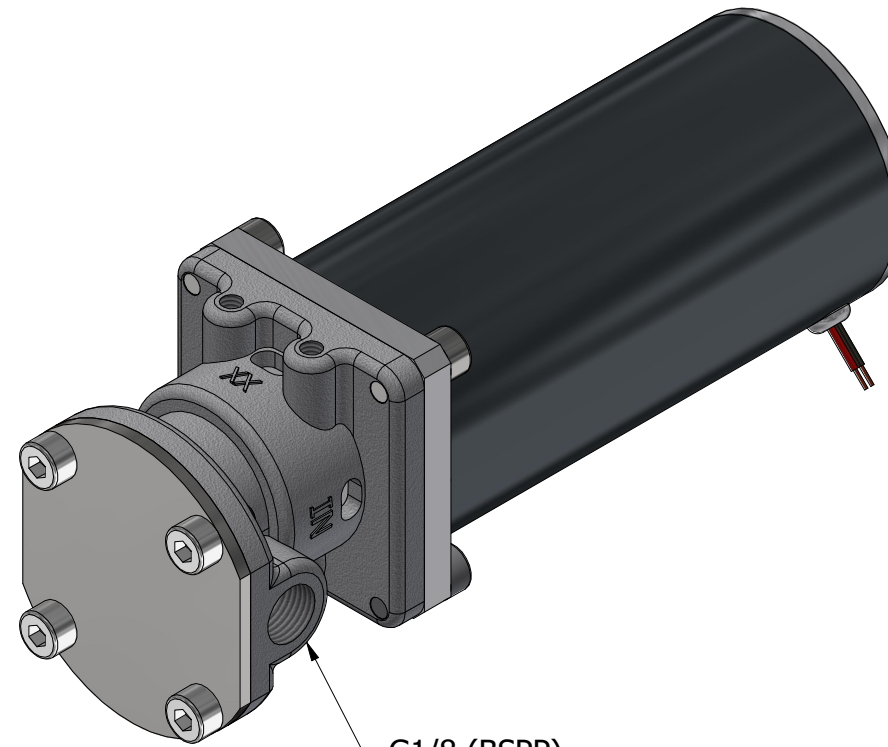


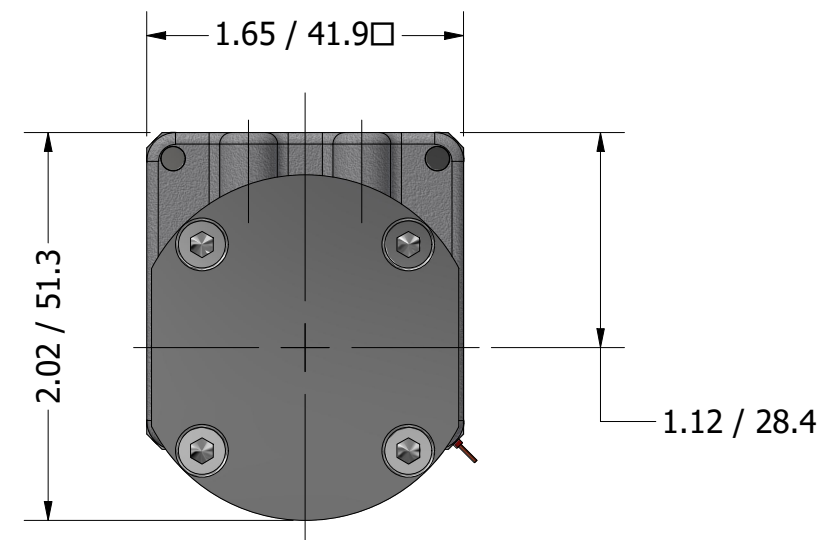
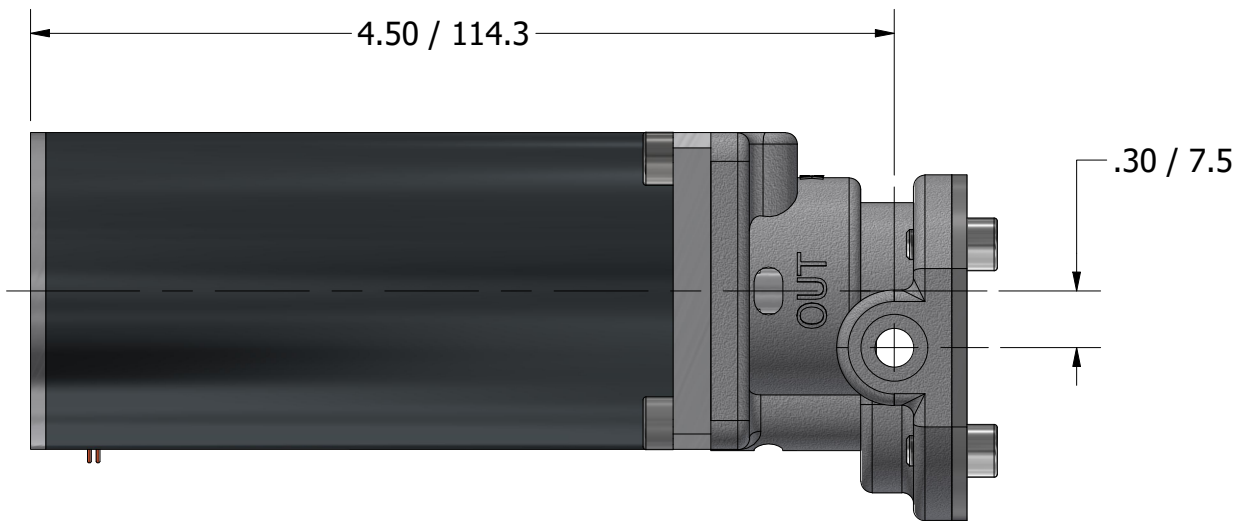
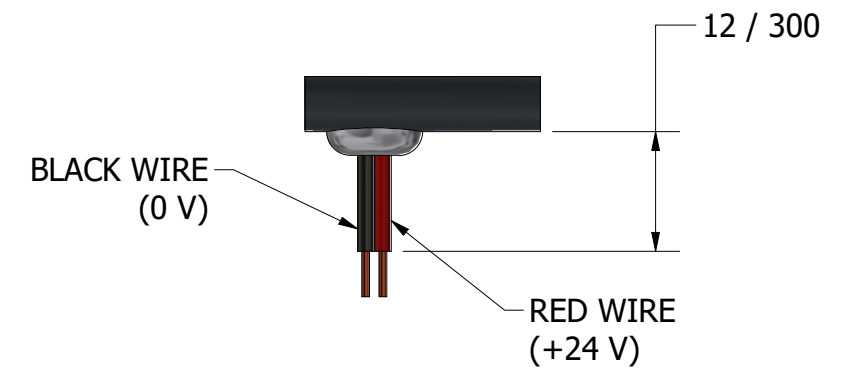
**MICRO GEAR PUMP
60 WATT MOTOR
G1/8 (BSPP) PORTS**



M4 X 0.7 X .236±.01 / 5.99±0.3 DEEP
2 PLCS



G1/8 (BSPP)
INLET/OUTLET PORTS



PROCON[®]

custom | fluid | solutions[®]

a division of **Standex**

W5028