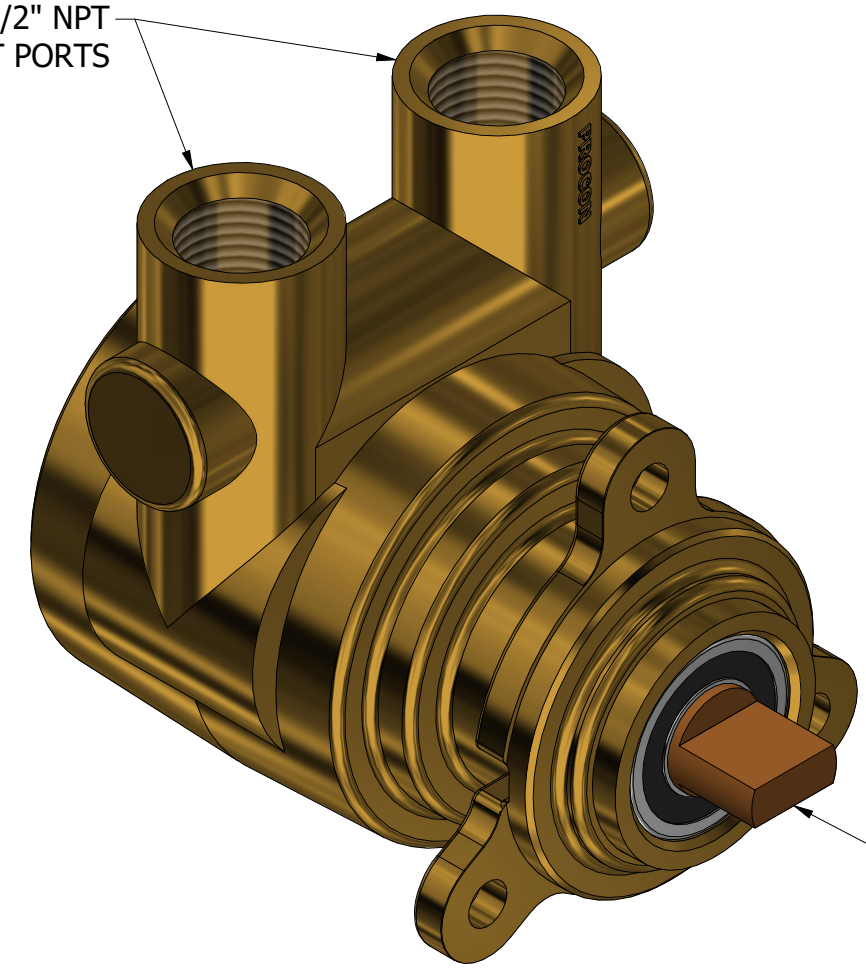
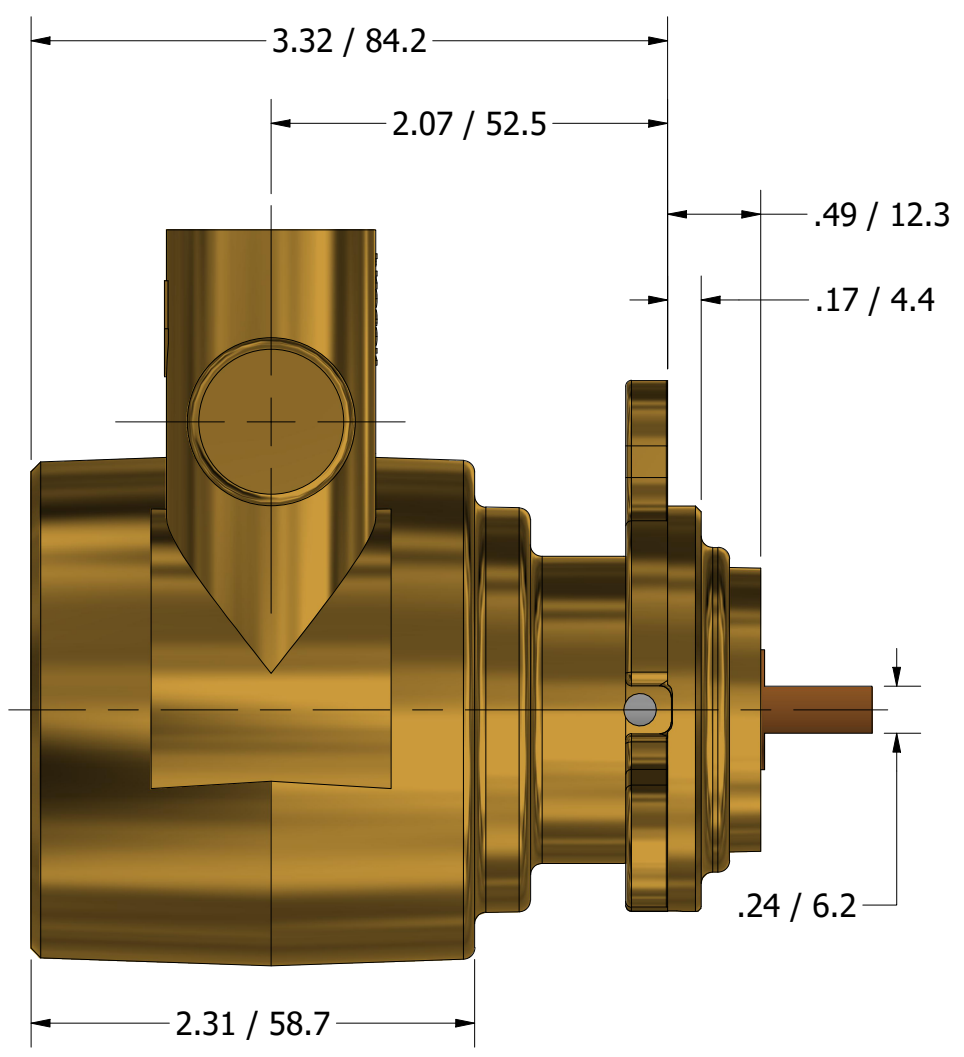


1/2" NPT
INLET/OUTLET PORTS



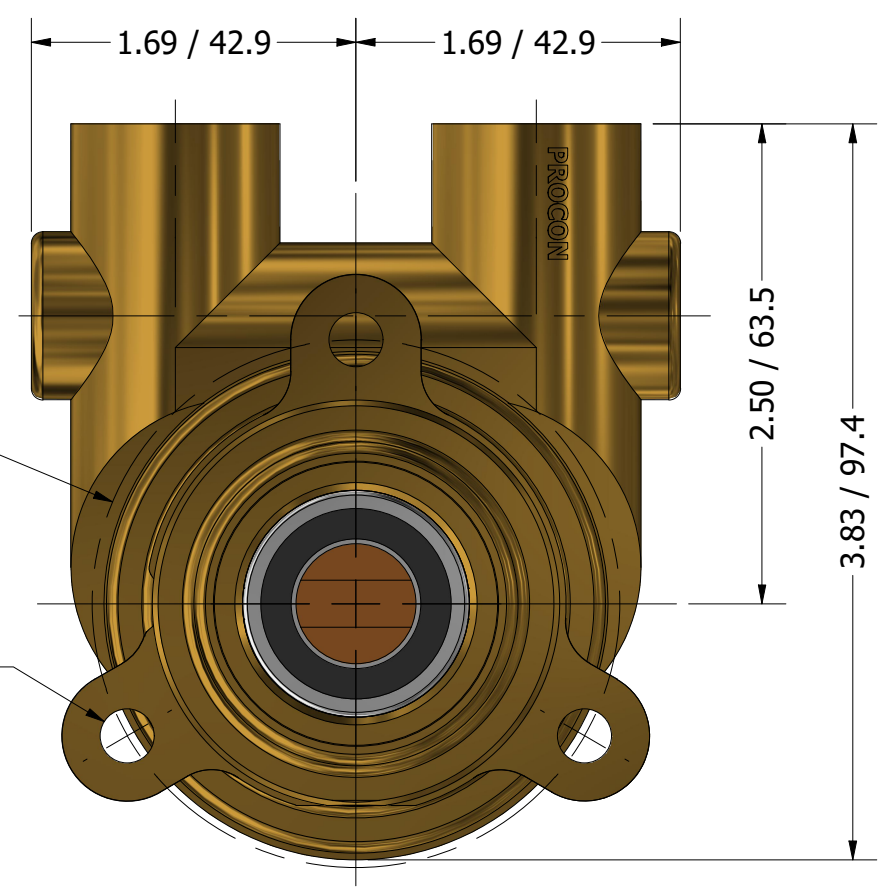
**SERIES 4
ROTARY VANE PUMP
BOLT-ON STYLE
"L" MOUNTING
1/2" NPT PORTS**

3018-1 BRONZE COUPLING



$\varnothing 2.75 / \varnothing 69.9$ B.C.

$\varnothing 0.28 / \varnothing 7.1$
3 EQUALLY
SPACED HOLES



PROCON[®]

custom | fluid | solutions[®]

a division of **Standex**

W1141