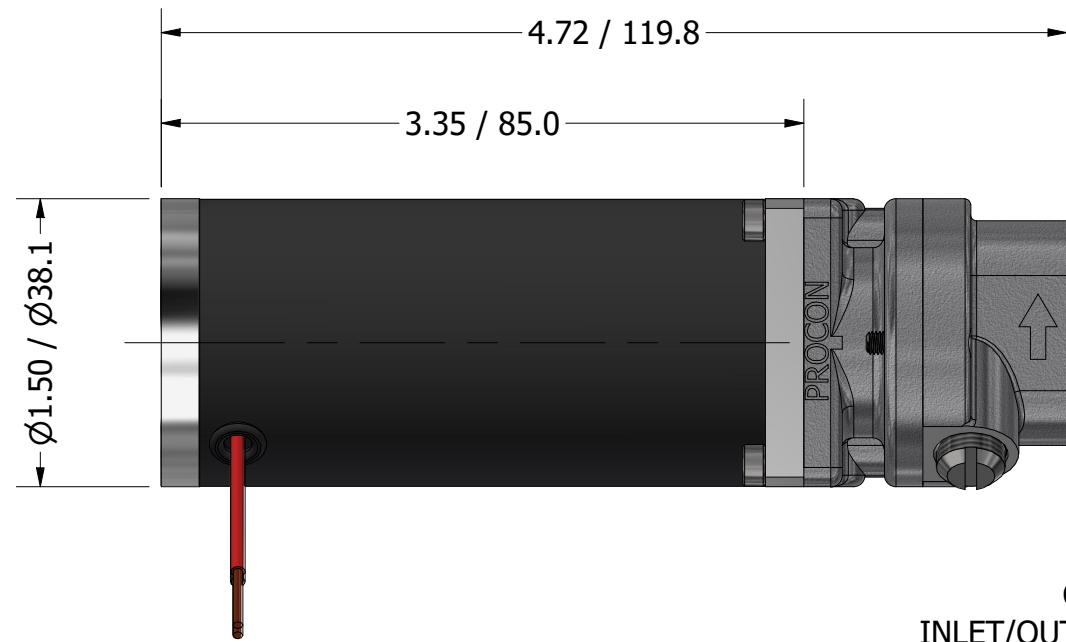
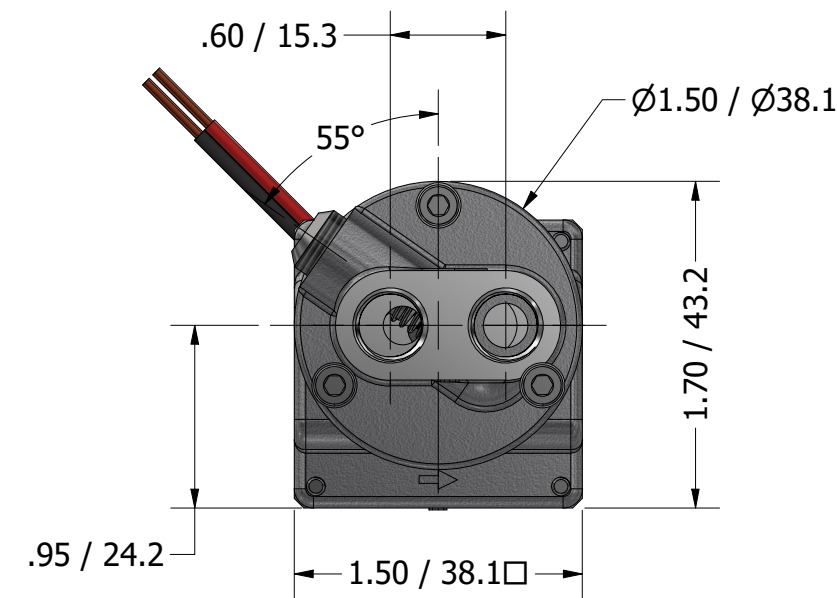
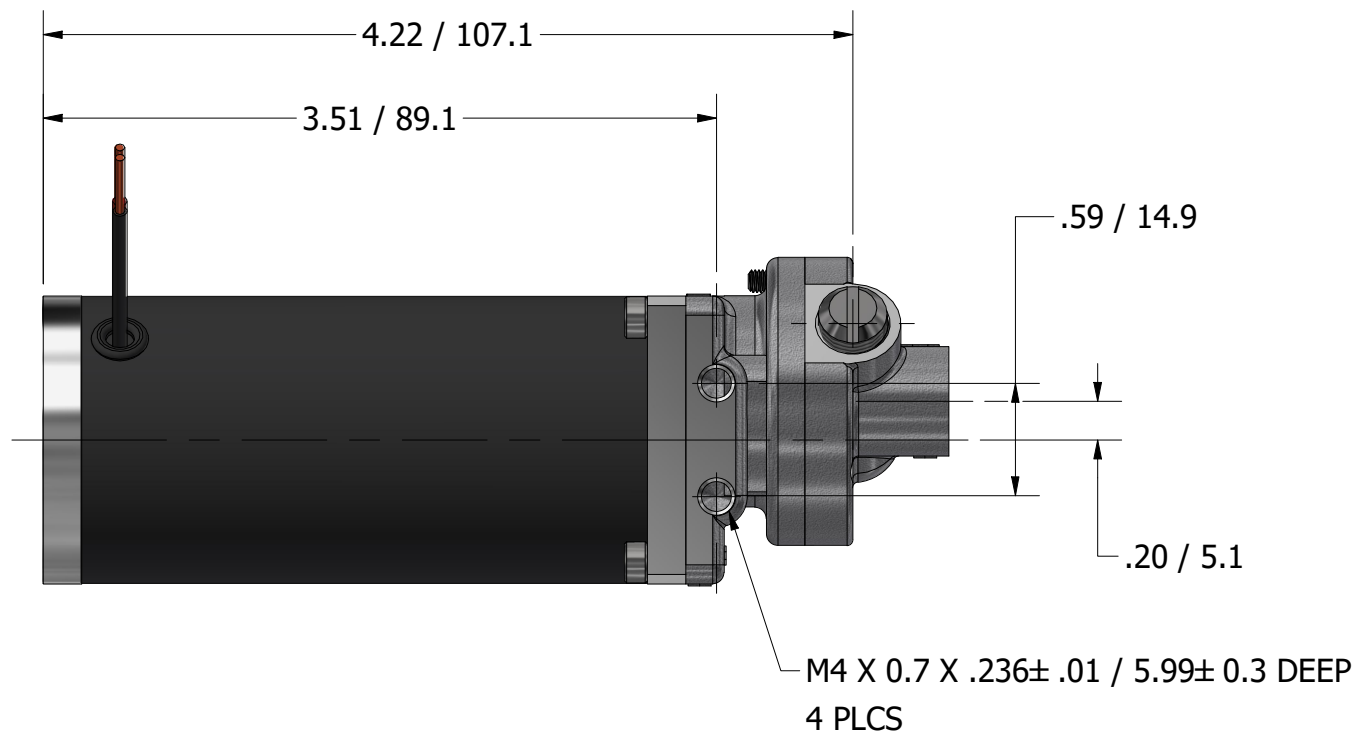
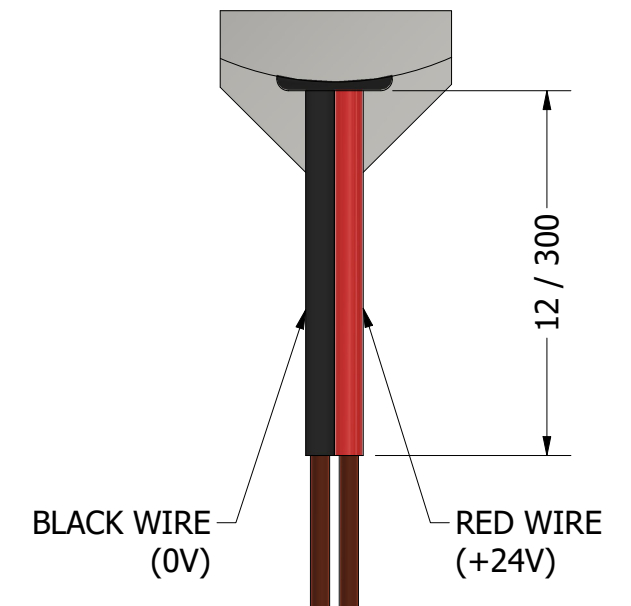
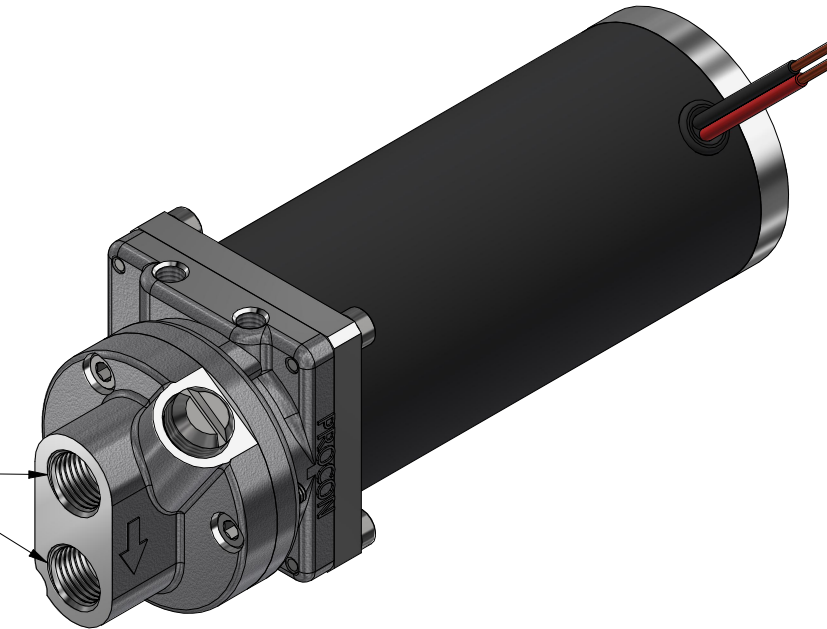


**NAUTILUS GEAR PUMP  
20 WATT MOTOR  
G1/8 (BSPP) PORTS  
WITH RELIEF VALVE**



G1/8 (BSPP)  
INLET/OUTLET PORTS



**PROCON**®

custom | fluid | solutions®

a division of **Standex**

W5002