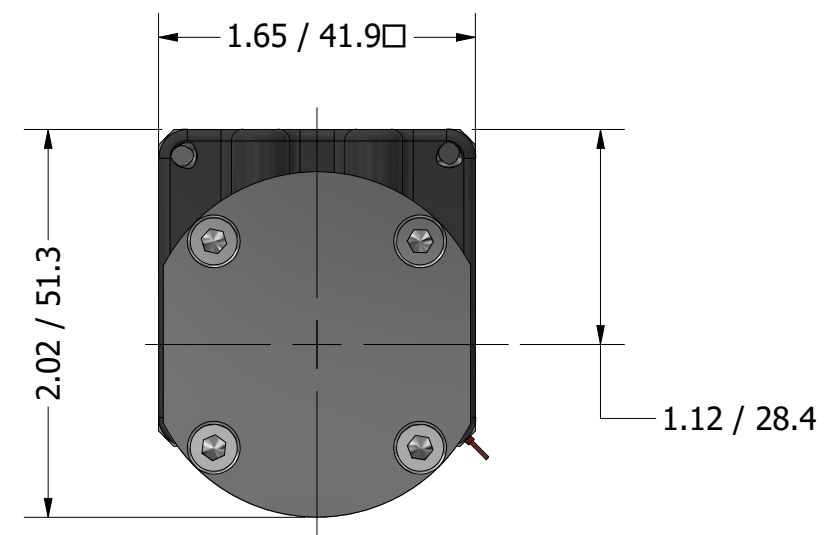
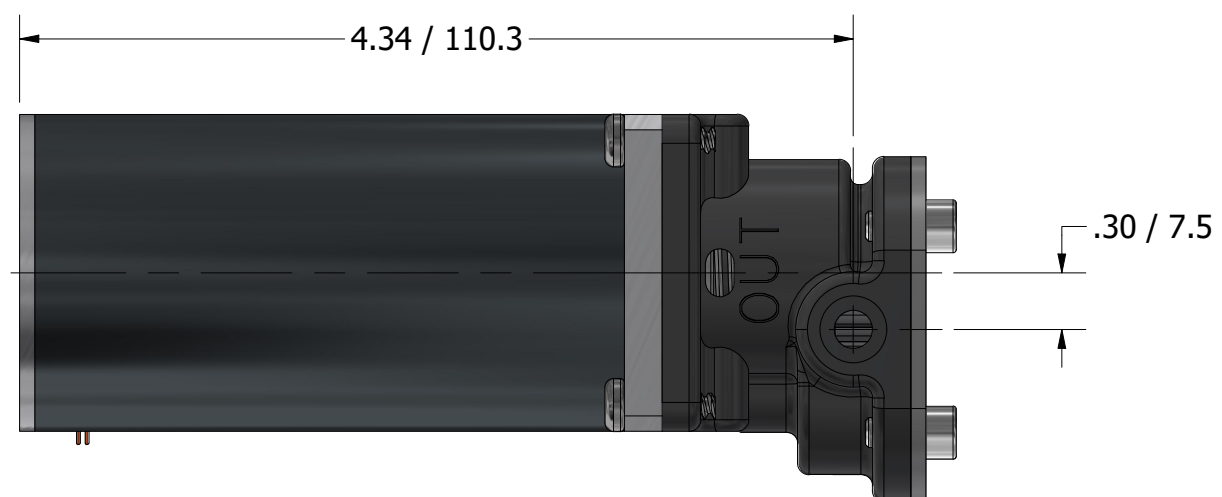
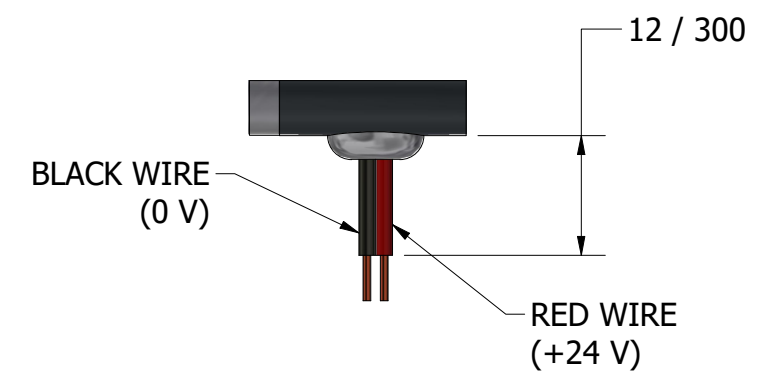
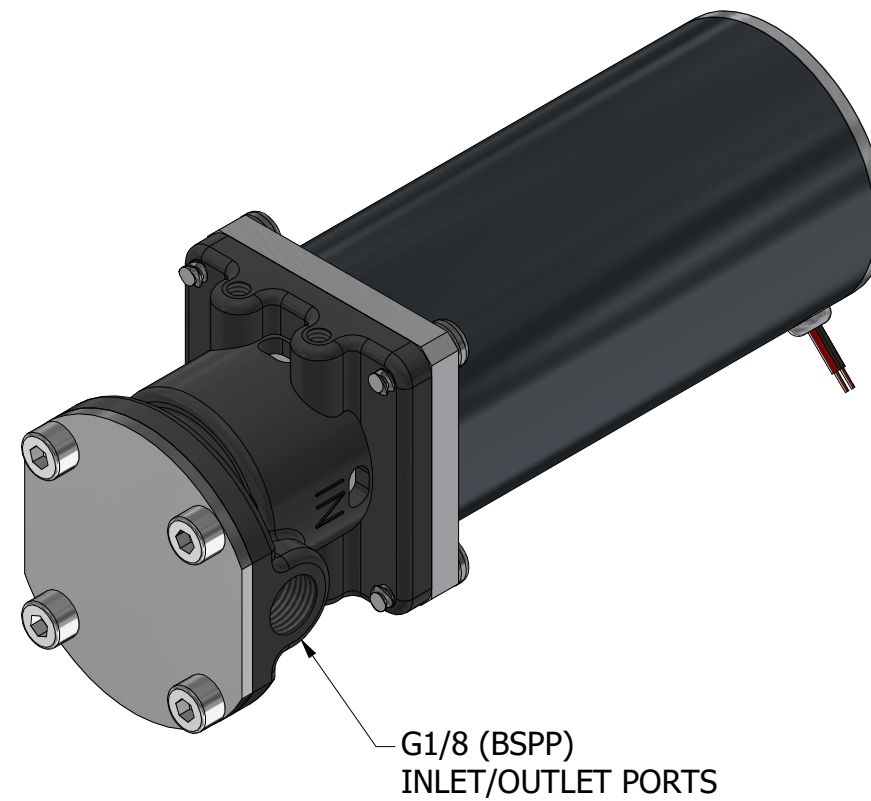


MICRO GEAR PUMP 20 WATT MOTOR G1/8 (BSPP) PORTS



PROCON[®]

custom | fluid | solutions[®]

a division of **Standex**

W5017