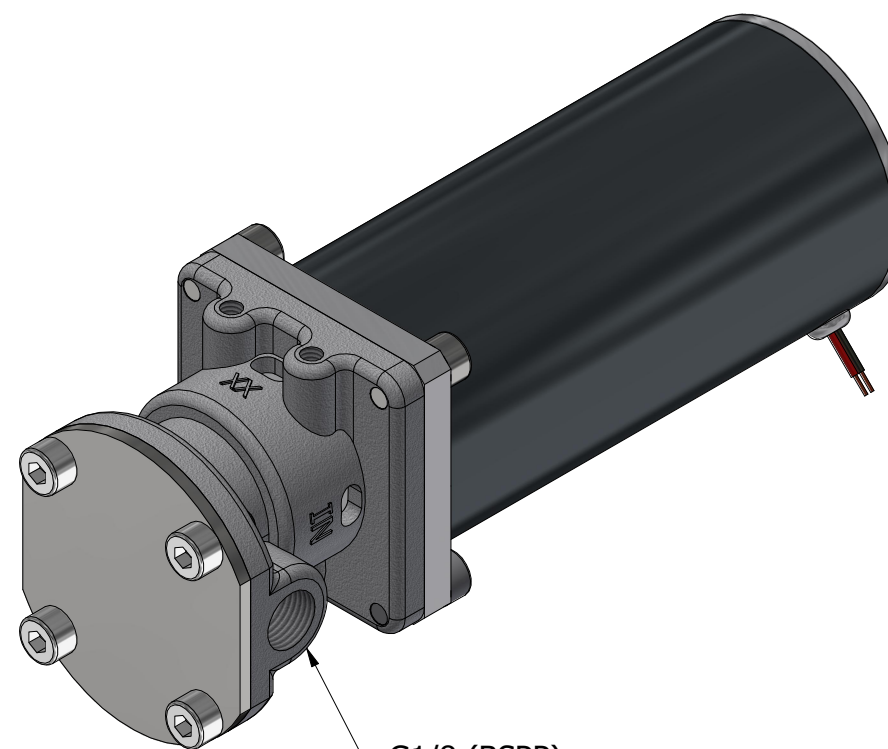
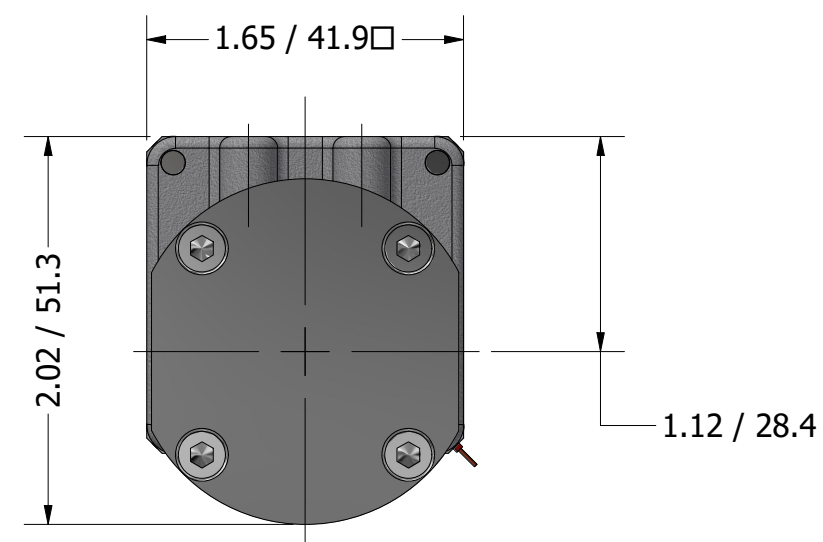
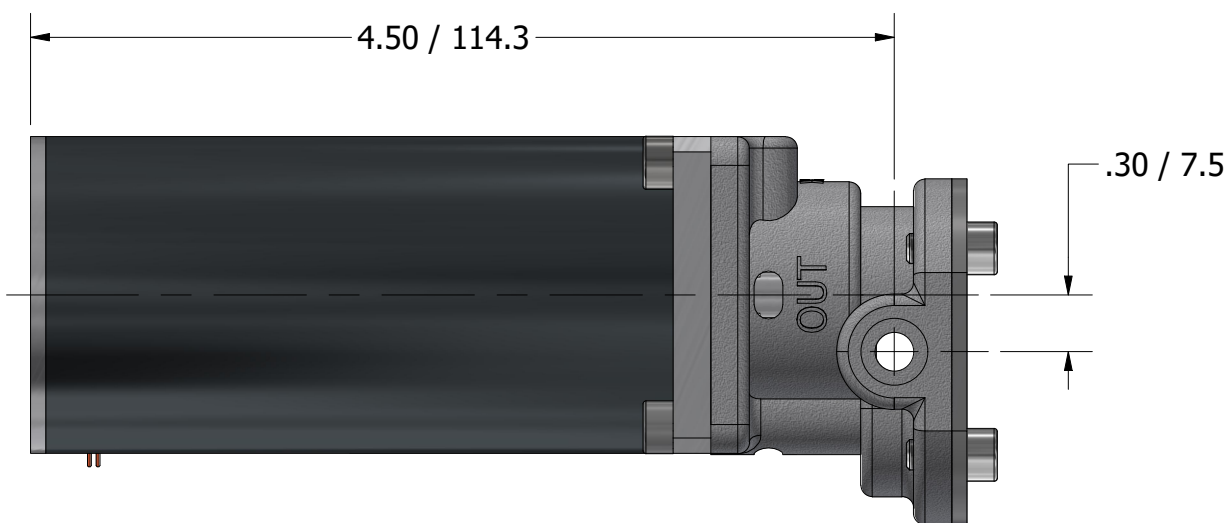
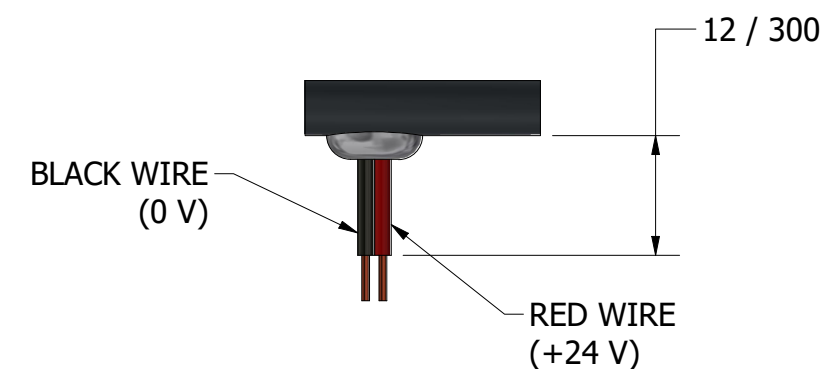


M4 X 0.7 X .236±.01 / 5.99±0.3 DEEP  
 2 PLCS



G1/8 (BSPP)  
 INLET/OUTLET PORTS

# MICRO GEAR PUMP 60 WATT MOTOR G1/8 (BSPP) PORTS



**PROCON**®

custom | fluid | solutions®

a division of **Standex**

W5023