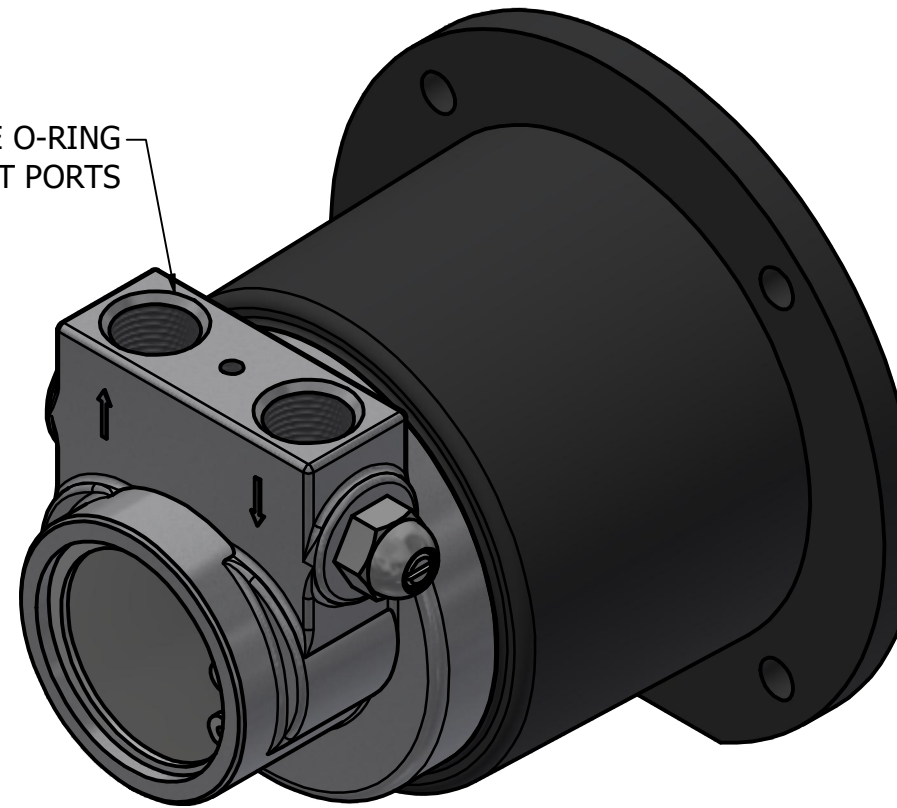
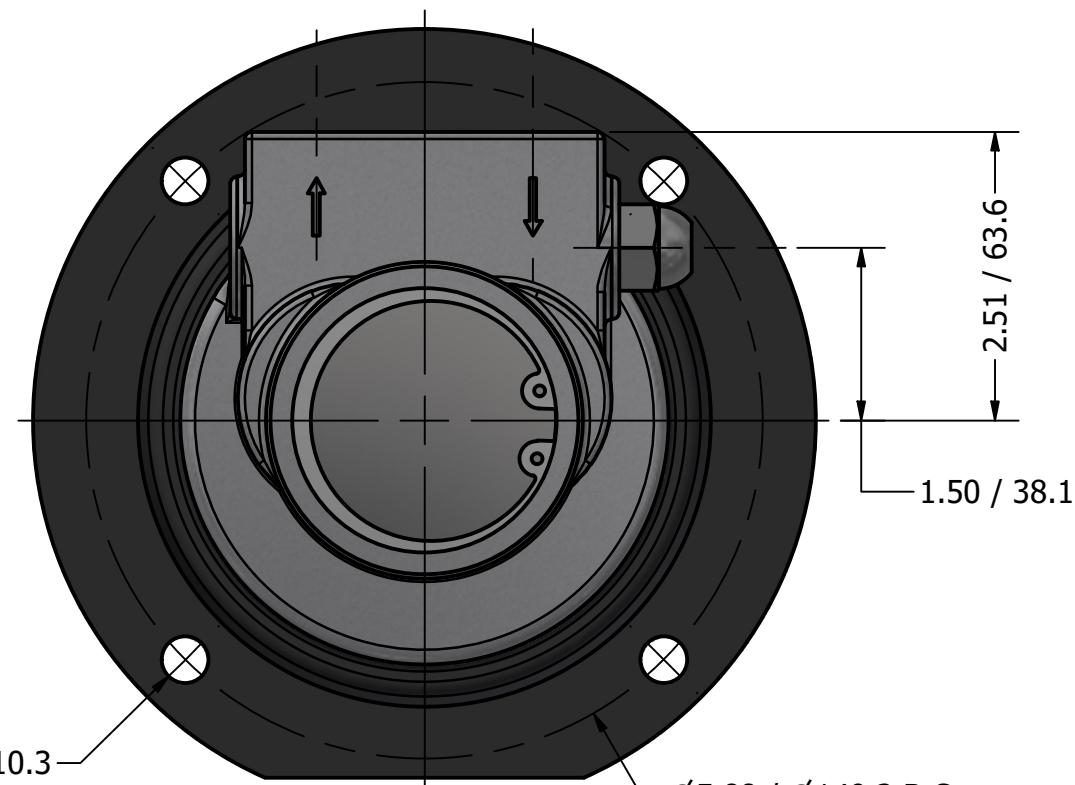
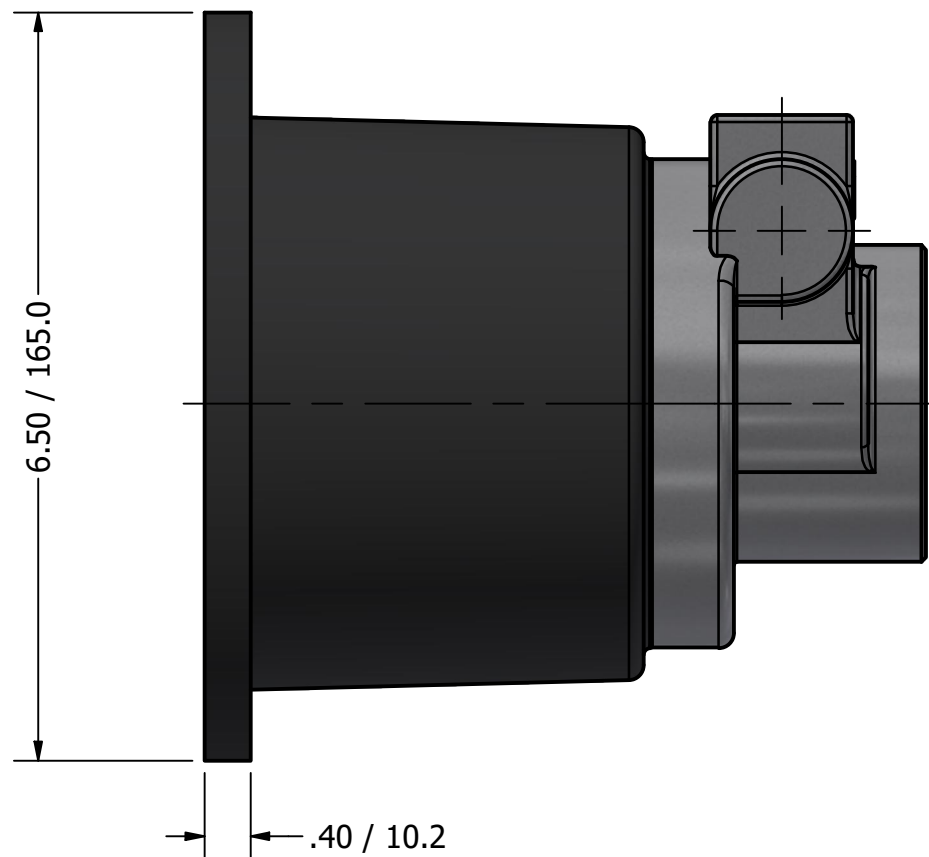


7/8" SAE O-RING
INLET/OUTLET PORTS



**SERIES 5
MAG DRIVE PUMP
7/8" SAE O-RING PORTS
WITH RELIEF VALVE**



$\varnothing .41 / \varnothing 10.3$
4 EQUALLY
SPACED HOLES

PROCON[®]
custom | fluid | solutions[®]