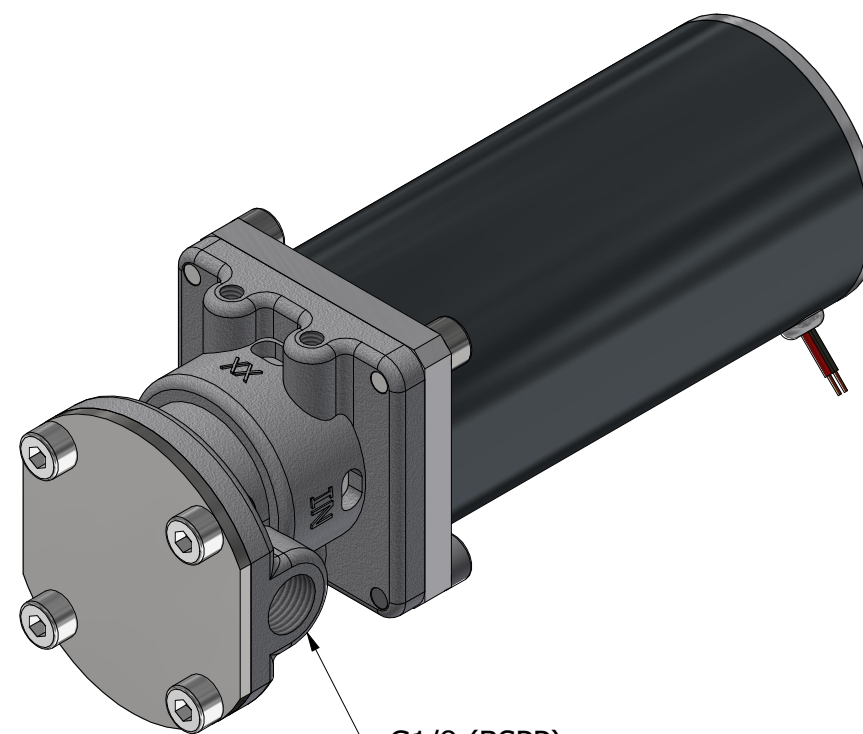
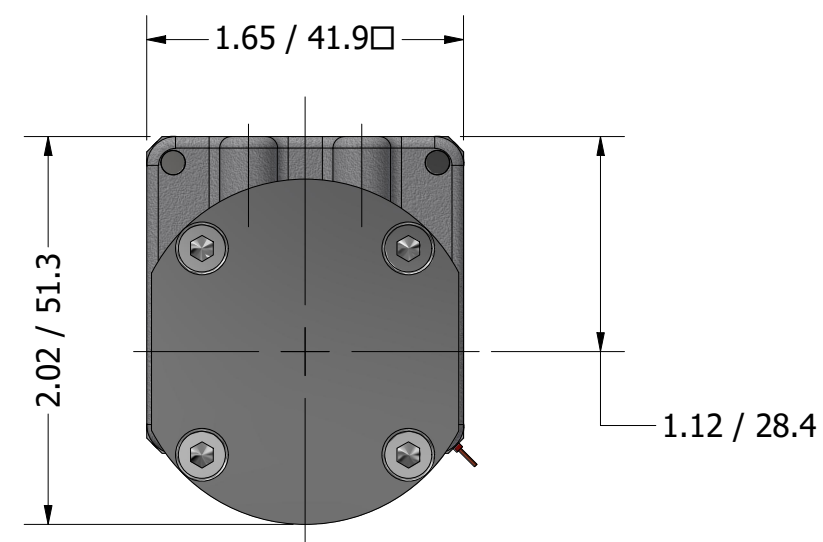
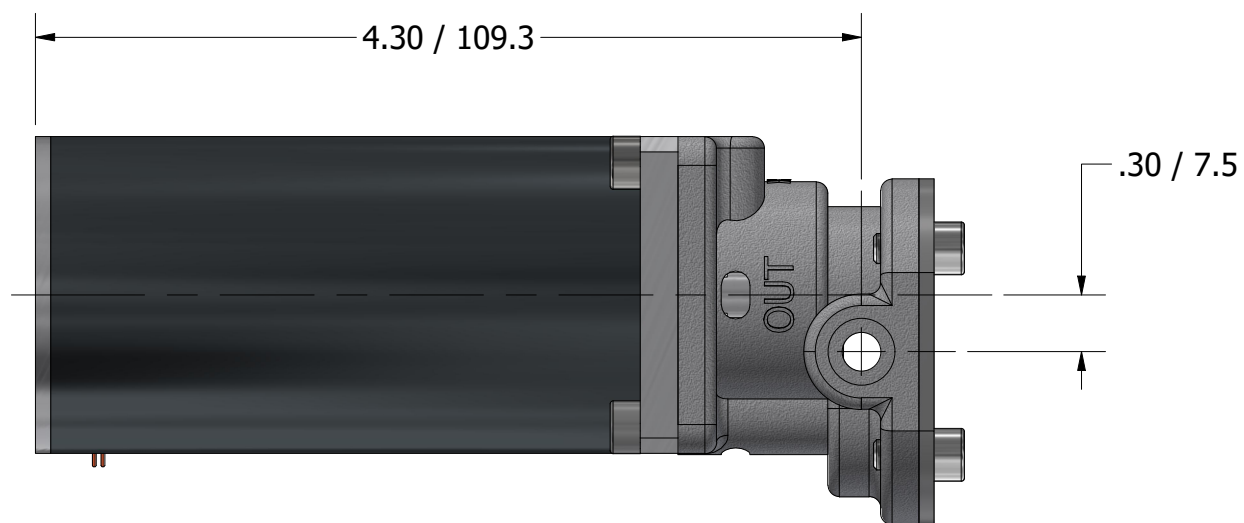
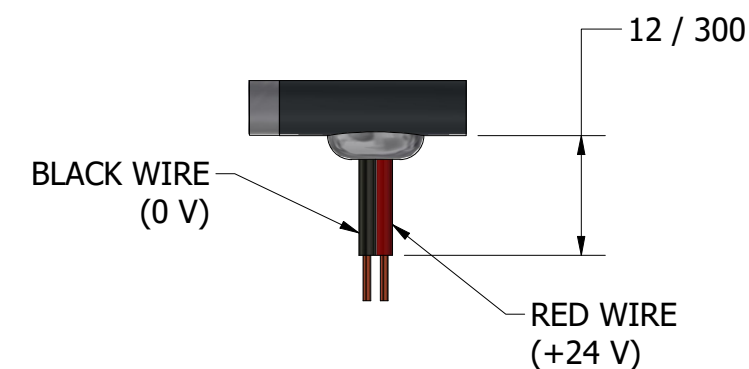


M4 X 0.7 X .236± .01 / 5.99± 0.3 DEEP
2 PLCS



G1/8 (BSPP)
INLET/OUTLET PORTS

MICRO GEAR PUMP 40 WATT MOTOR G1/8 (BSPP) PORTS



PROCON[®]

custom | fluid | solutions[®]

a division of **Standex**

W5025