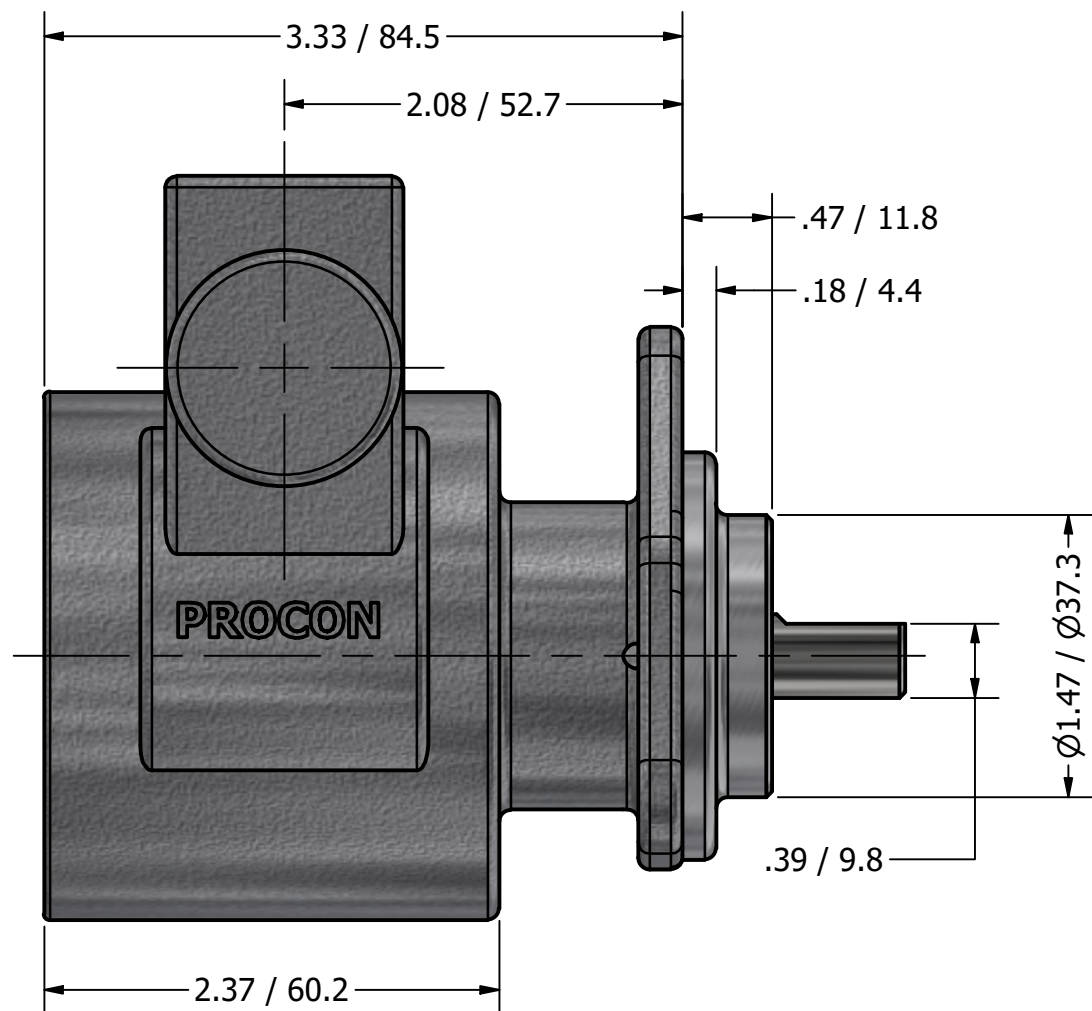
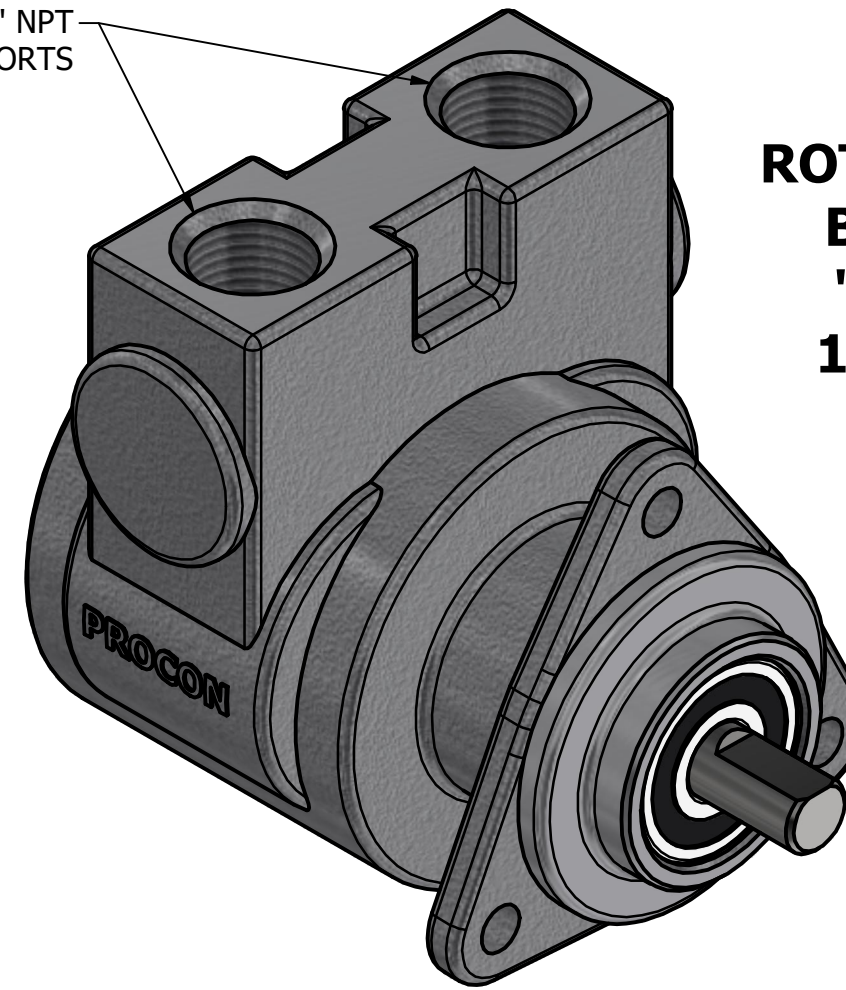


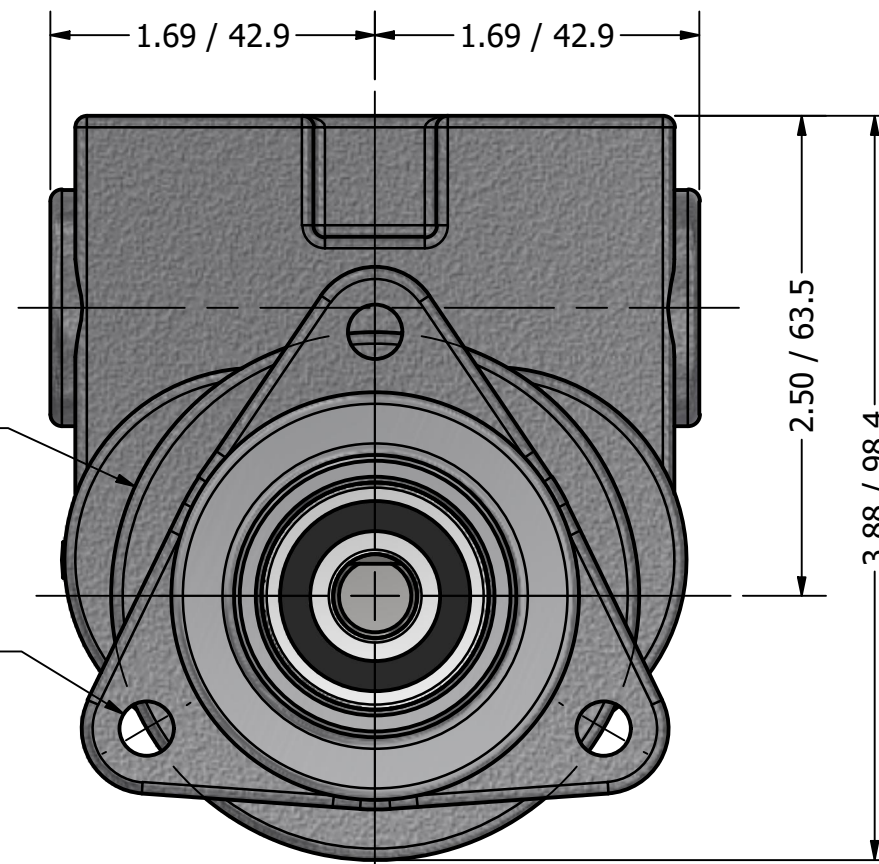
1/2" NPT
INLET/OUTLET PORTS

**SERIES 5
ROTARY VANE PUMP
BOLT-ON STYLE
"E" MOUNTING
1/2" NPT PORTS**



$\phi 2.75 / \phi 69.9$ B.C.

$\phi .28 / \phi 7.1$
3 EQUALLY
SPACED HOLES



PROCON[®]
custom | fluid | solutions[®]