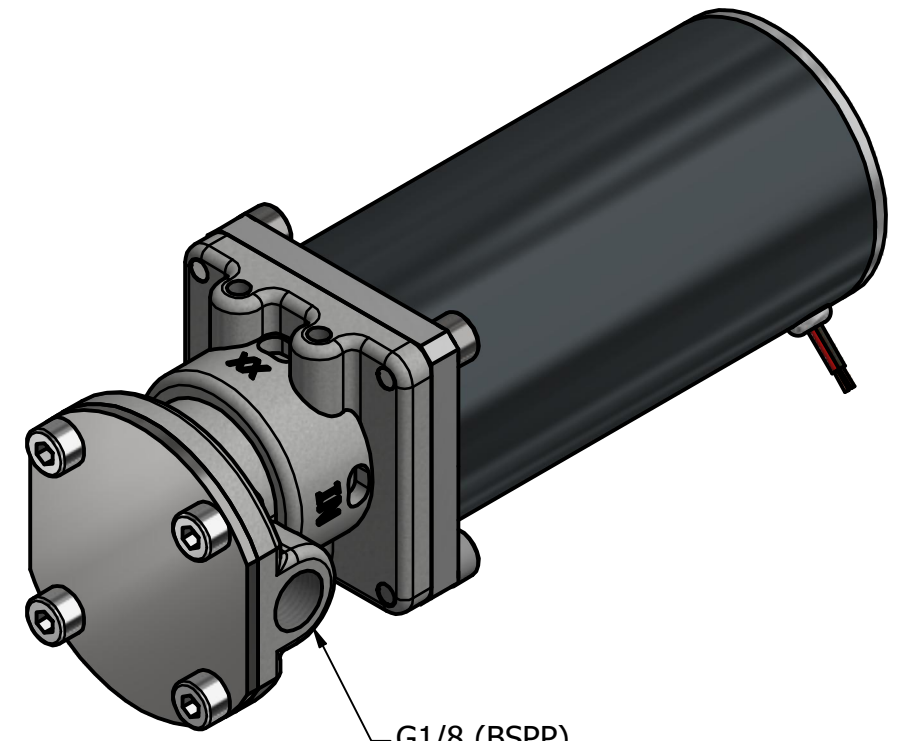


M4 X 0.7 X .236± .01 / 5.99± 0.3 DEEP
2 PLCS



MICRO GEAR PUMP 20 WATT MOTOR G1/8 (BSPP) PORTS

