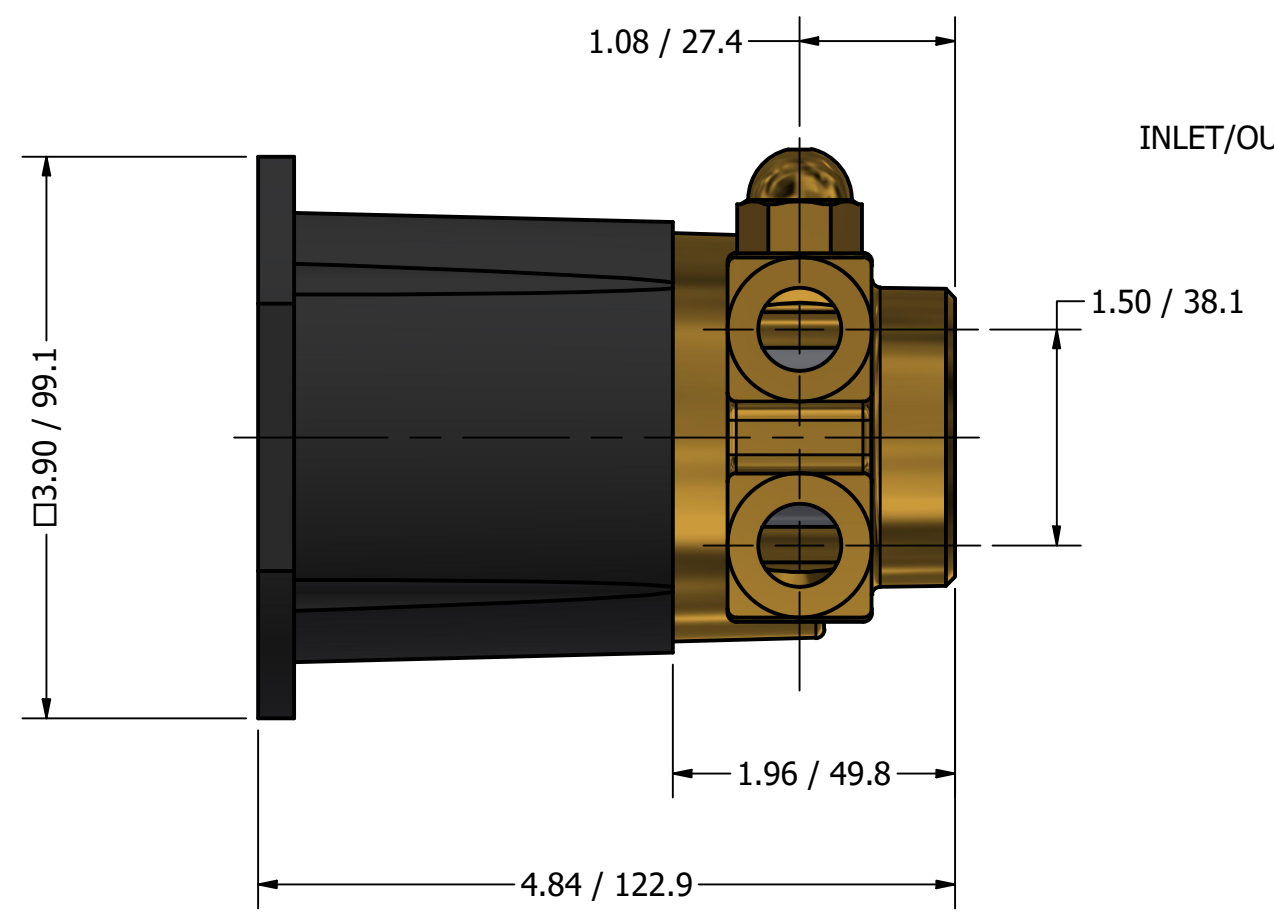
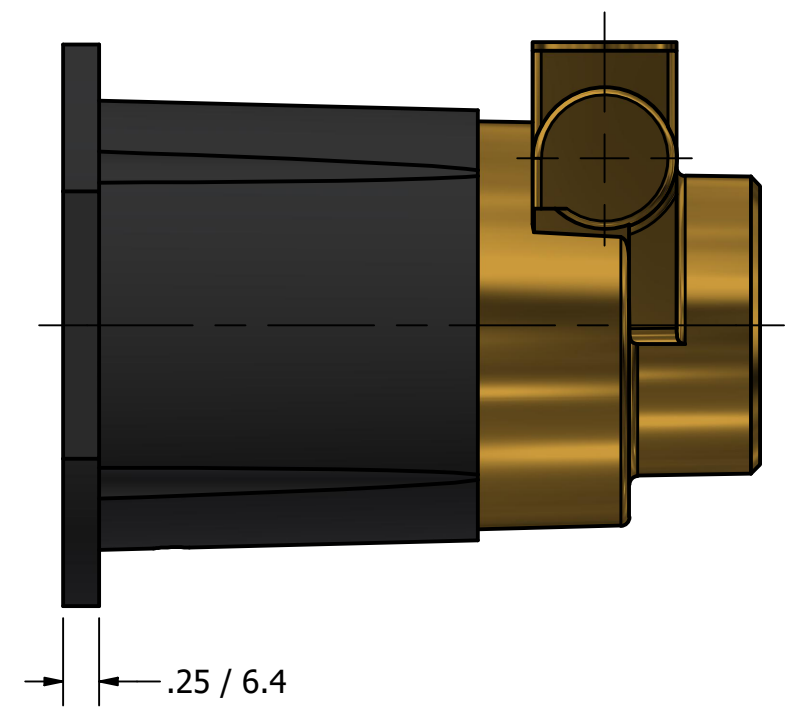
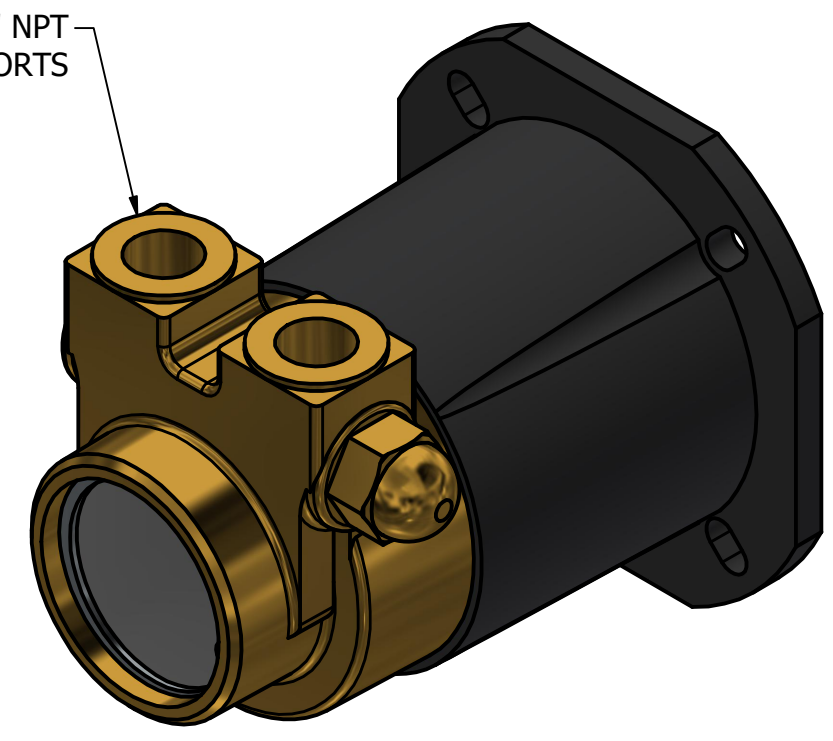


**SERIES 2
MAG DRIVE PUMP
3/8" NPT PORTS
WITH RELIEF VALVE**

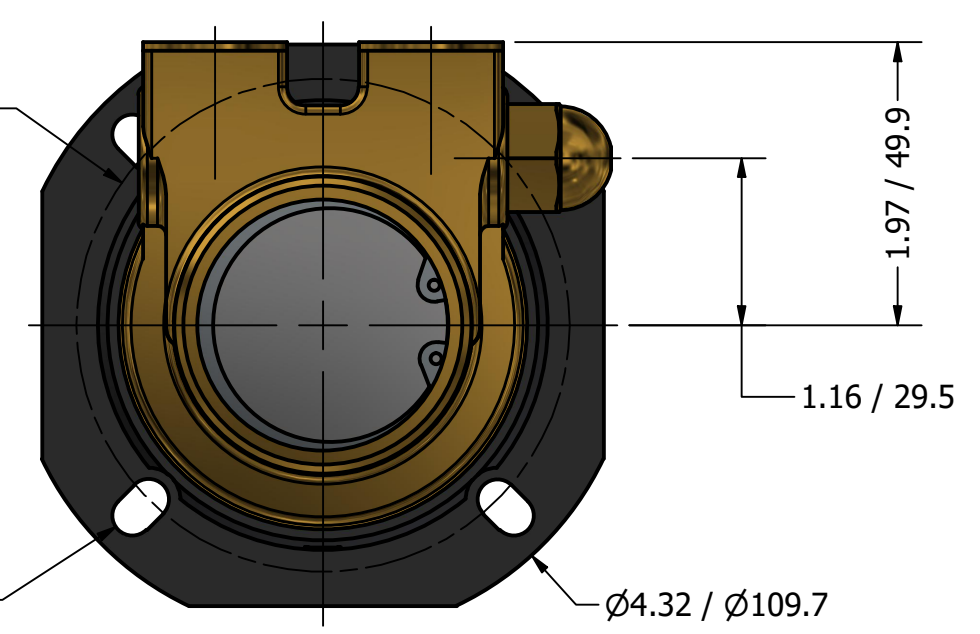


3/8" NPT
INLET/OUTLET PORTS



$\varnothing 3.42 / \varnothing 87.0$ B.C.

$\varnothing .28 / \varnothing 7.1$ X $.44 / 11.2$
4 EQUALLY
SPACED SLOTS



$\varnothing 4.32 / \varnothing 109.7$