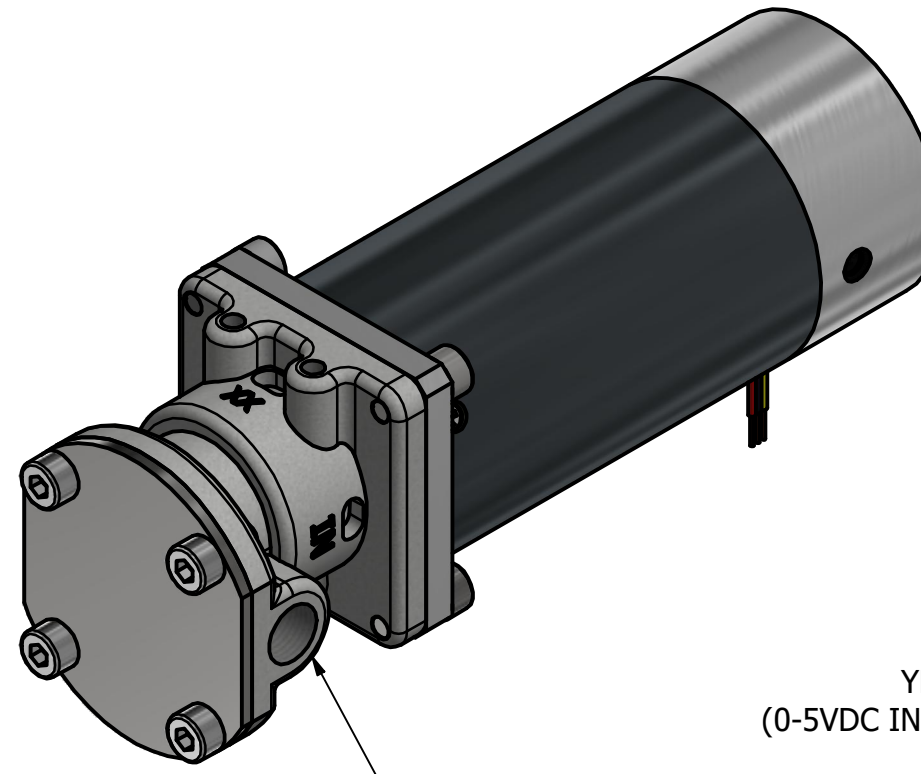


M4 X 0.7 X .236±.01 / 5.99±0.3 DEEP
2 PLCS



MICRO GEAR PUMP 40 WATT MOTOR G1/8 (BSPP) PORTS

G1/8 (BSPP)
INLET/OUTLET PORTS

