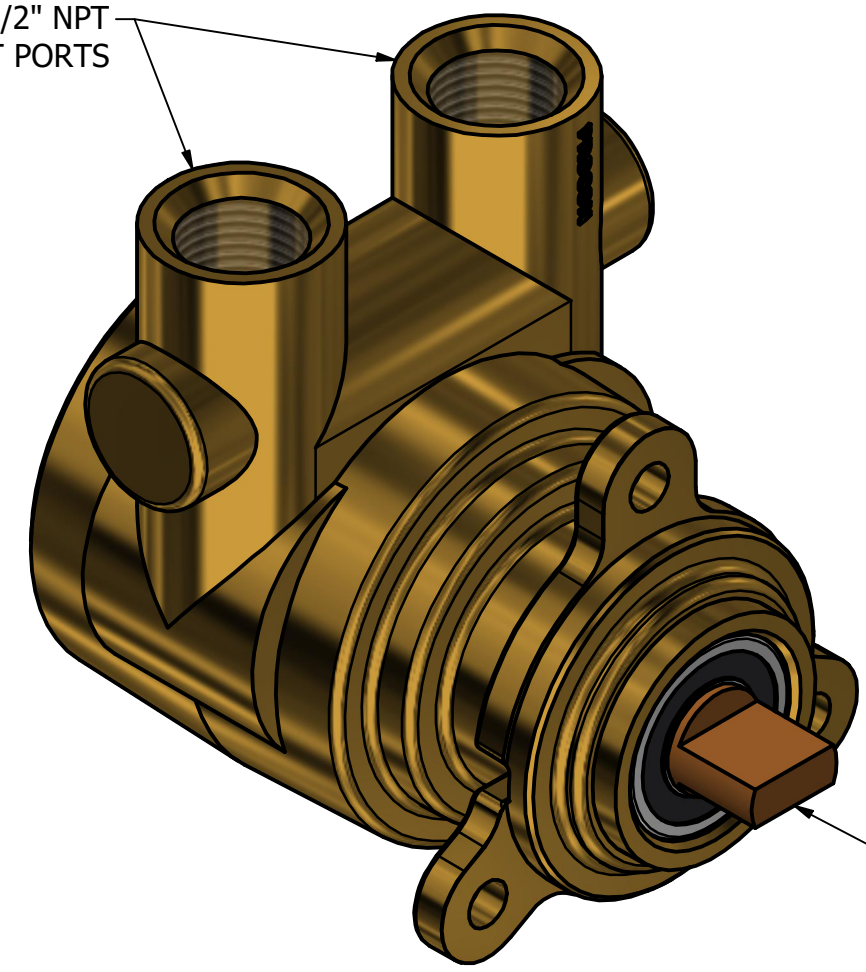
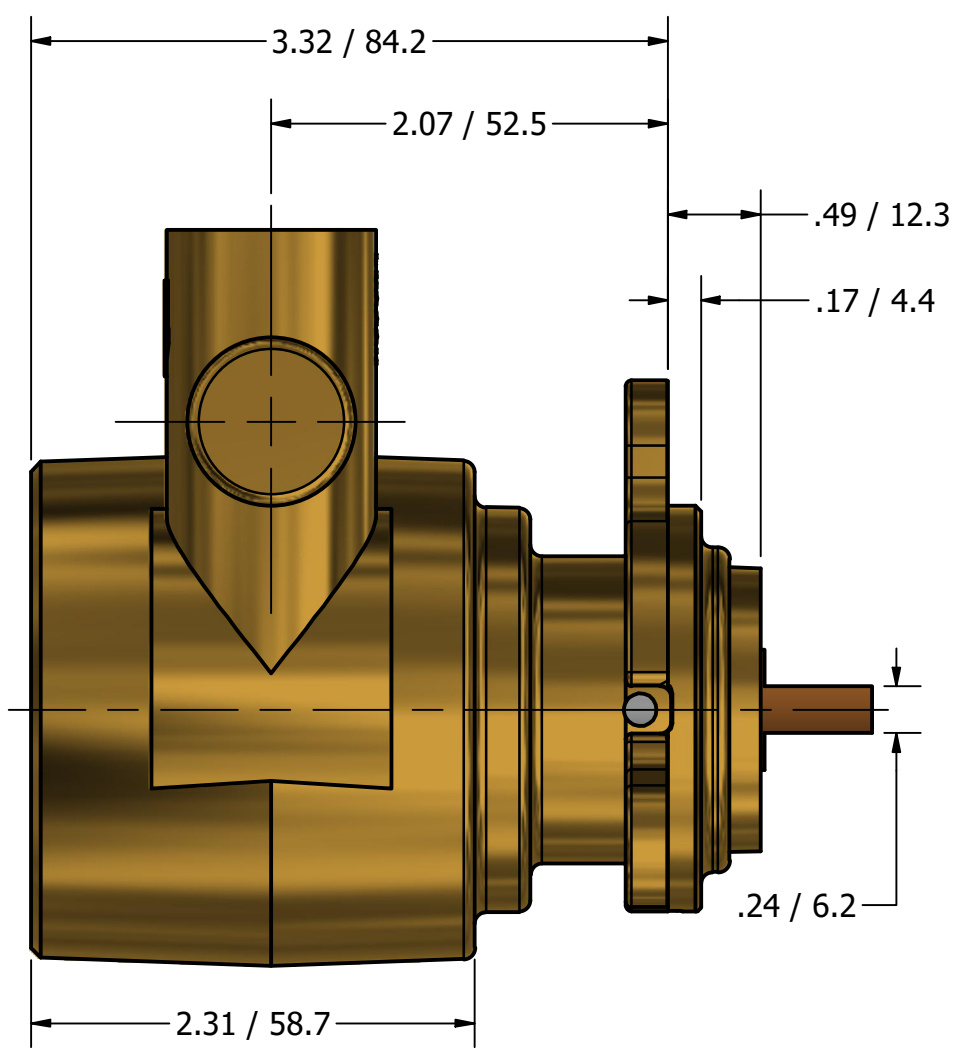


1/2" NPT  
INLET/OUTLET PORTS

**SERIES 4  
ROTARY VANE PUMP  
BOLT-ON STYLE  
"L" MOUNTING  
1/2" NPT PORTS**



3018-1 BRONZE COUPLING



$\varnothing 2.75 / \varnothing 69.9$  B.C.

$\varnothing .28 / \varnothing 7.1$   
3 EQUALLY  
SPACED HOLES

