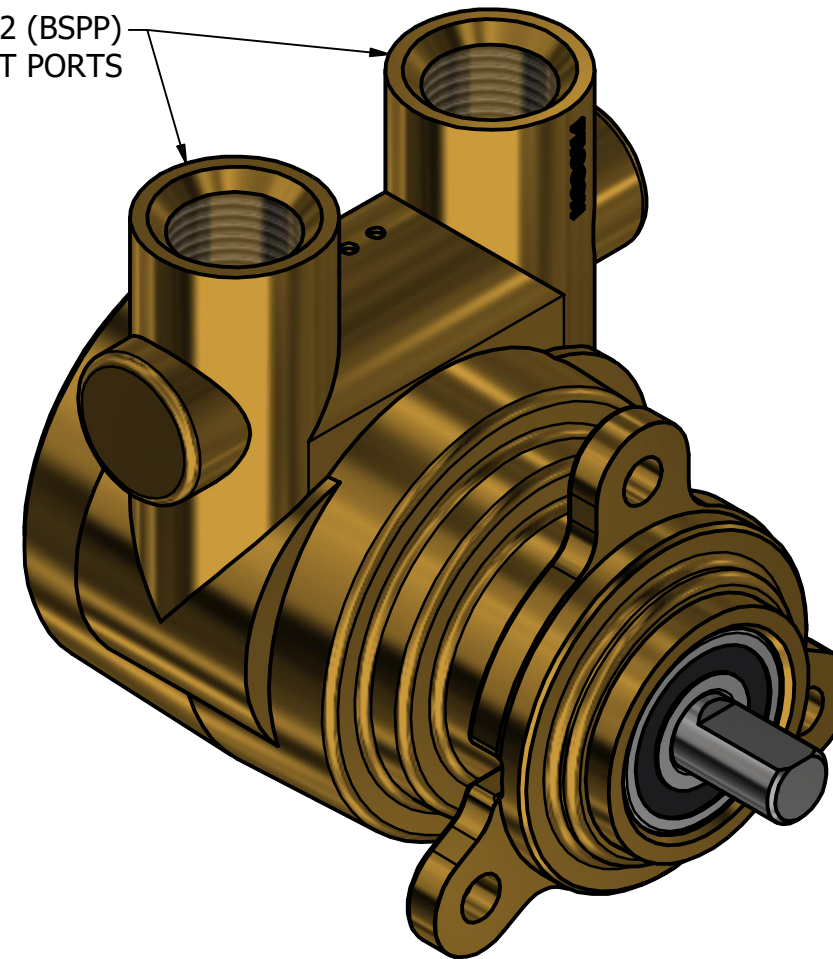
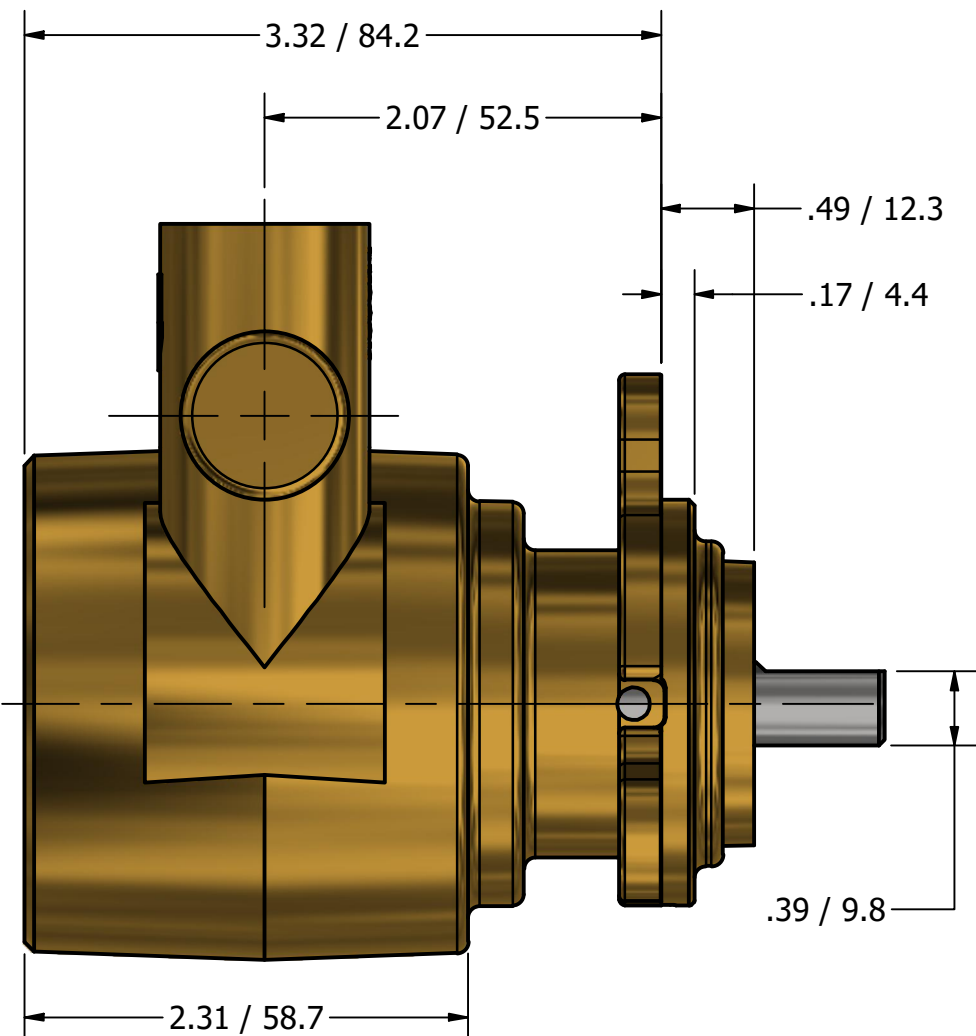


G1/2 (BSPP)  
INLET/OUTLET PORTS

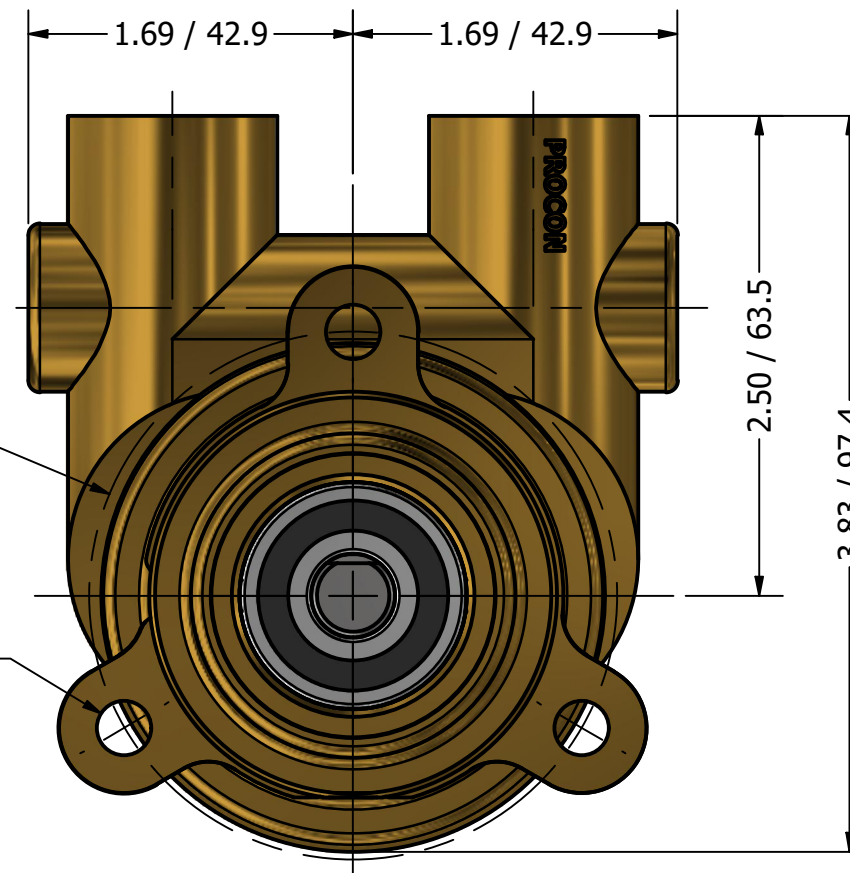


**SERIES 4  
ROTARY VANE PUMP  
BOLT-ON STYLE  
"E" MOUNTING  
G1/2 (BSPP) PORTS**



$\varnothing 2.75 / \varnothing 69.9$  B.C.

$\varnothing .28 / \varnothing 7.1$   
3 EQUALLY  
SPACED HOLES



**PROCON**<sup>®</sup>  
custom | fluid | solutions<sup>®</sup>