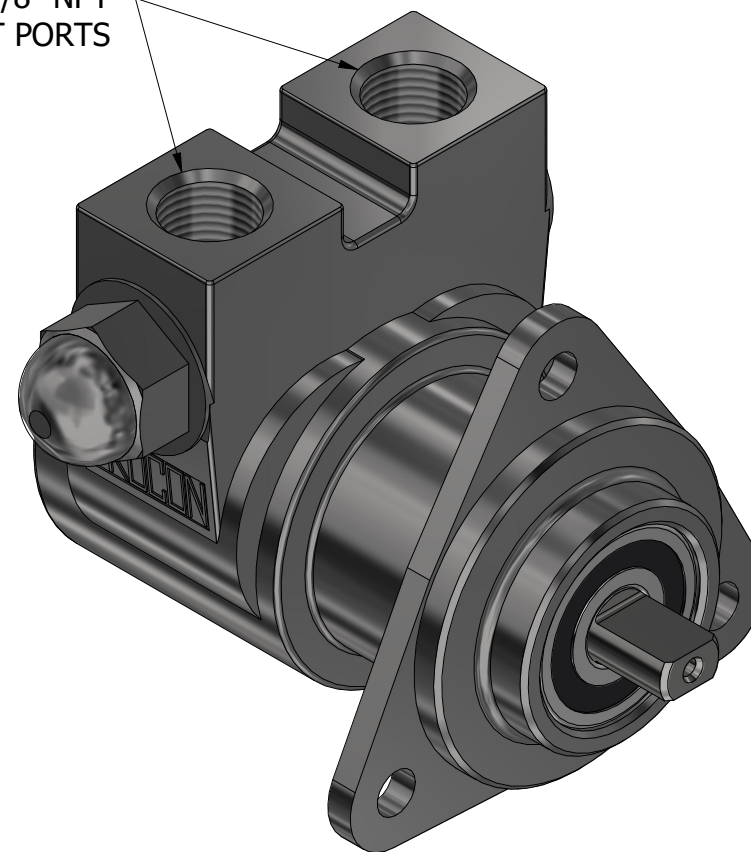
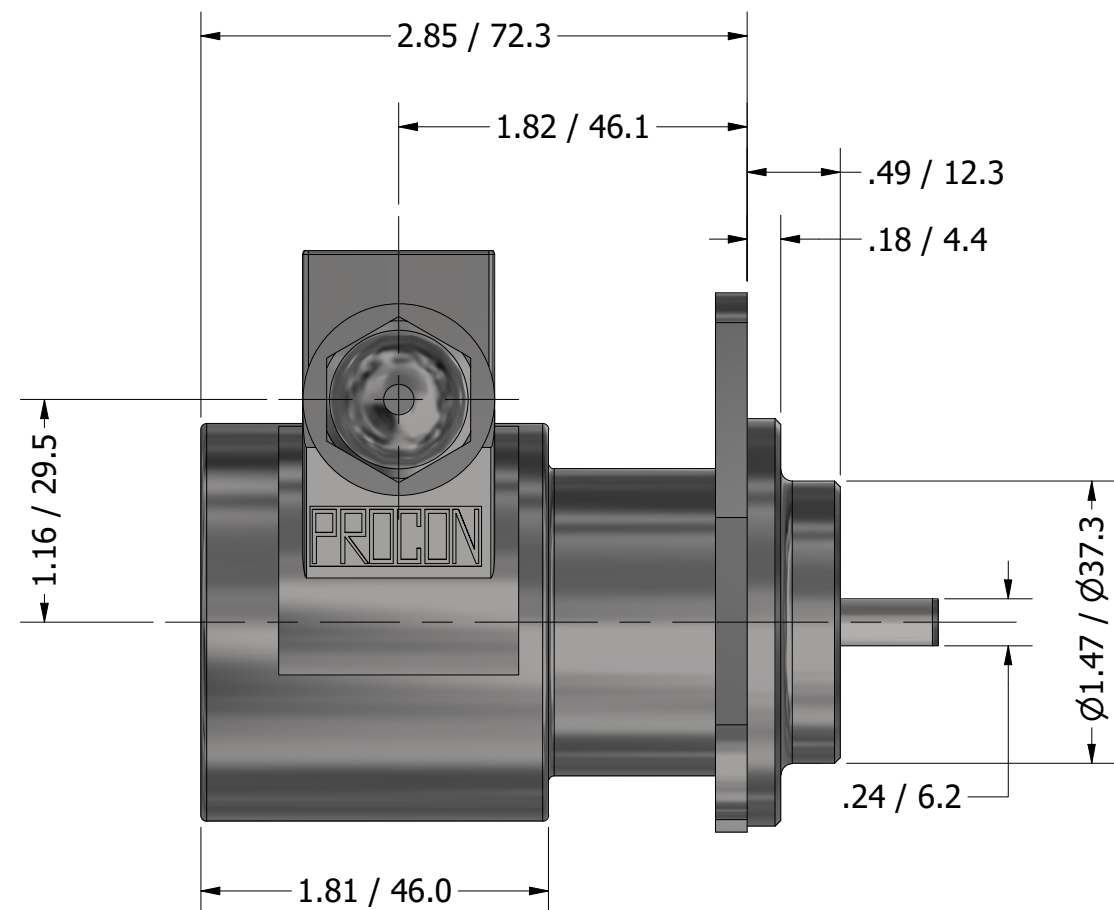


3/8" NPT
INLET/OUTLET PORTS

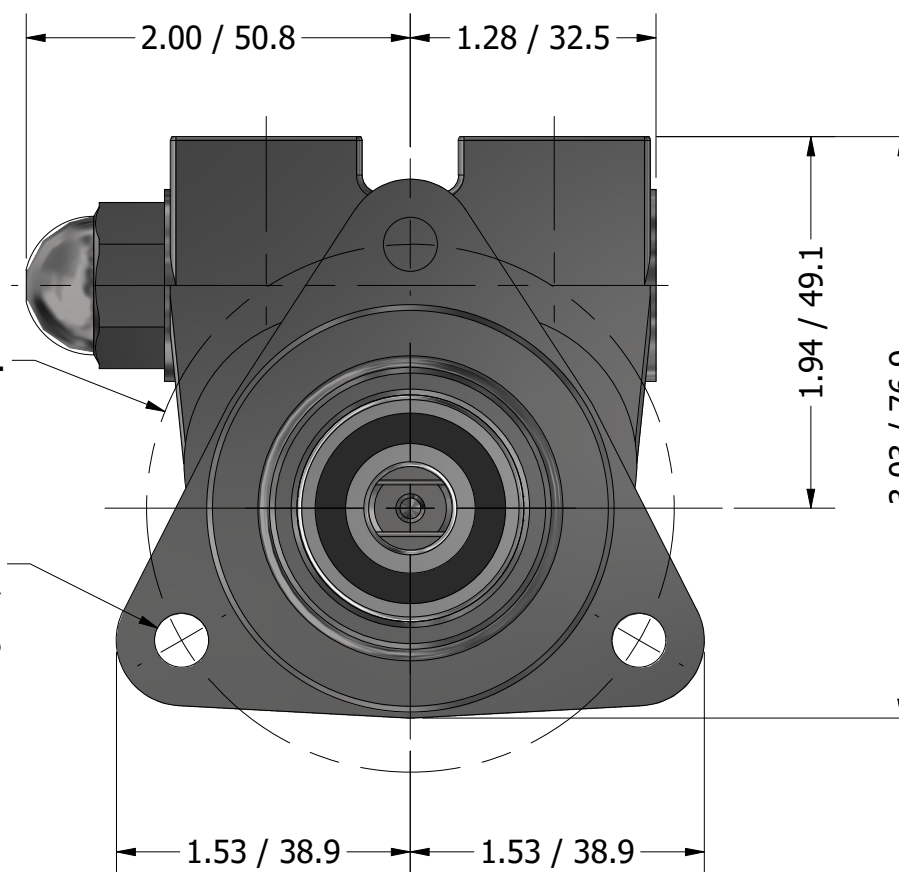


**SERIES 3
ROTARY VANE PUMP
BOLT-ON STYLE
"J" MOUNTING
3/8" NPT PORTS
WITH RELIEF VALVE**



$\phi 2.75 / \phi 69.9$ B.C.

$\phi .28 / \phi 7.1$
3 EQUALLY
SPACED HOLES



PROCON[®]

custom | fluid | solutions[®]

a division of **Standex**

W1093